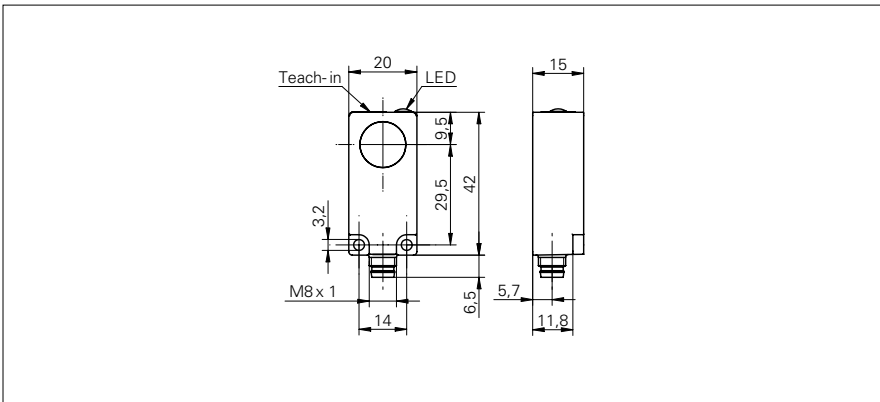


**Ultrasonic retro-reflective sensors**

**URDK 20P7903/S35A**

**dimension drawing**



**general data**

|   |                            |
|---|----------------------------|
| scanning range Sd                           | 0 ... 1000 mm              |
| reflector position Sde                      | 200 ... 1000 mm            |
| adjusting range reflector (operating range) | ± 2,5 % Sde                |
| adjusting range reflector (limit range)     | ± 5 % Sde                  |
| repeat accuracy                             | < 1,5 mm                   |
| temperature drift                           | < 2 % Sde                  |
| response time ton                           | < 50 ms                    |
| release time toff                           | < 50 ms                    |
| sonic frequency                             | 240 kHz                    |
| adjustment                                  | Teach-in                   |
| alignment aid                               | target indication flashing |
| output indicator                            | LED green                  |

**electrical data**

|                                    |                         |
|------------------------------------|-------------------------|
| voltage supply range +Vs           | 12 ... 30 VDC           |
| current consumption max. (no load) | 35 mA                   |
| output circuit                     | PNP break function (NC) |
| output current                     | < 200 mA                |
| voltage drop Vd                    | < 2 VDC                 |
| residual ripple                    | < 10 % Vs               |
| short circuit protection           | yes                     |
| reverse polarity protection        | yes                     |

**mechanical data**

|                  |              |
|------------------|--------------|
| type             | rectangular  |
| housing material | polyester    |
| width / diameter | 20 mm        |
| height / length  | 42 mm        |
| depth            | 15 mm        |
| connection types | connector M8 |

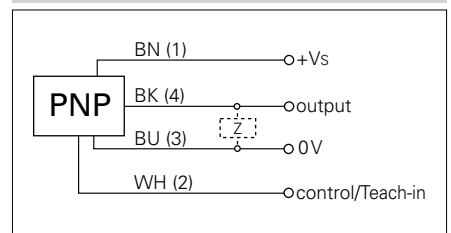
**ambient conditions**

|                       |                |
|-----------------------|----------------|
| operating temperature | -10 ... +60 °C |
| protection class      | IP 67          |

**photo**



**connection diagram**



# Ultrasonic retro-reflective sensors

# URDK 20P7903/S35A

typical sonic cone profile

