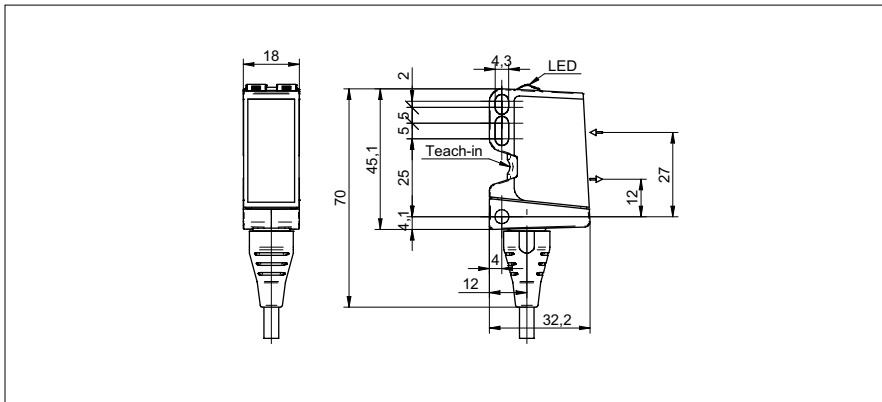


SmartReflect Light barriers

O500.SP.T-11136920

dimension drawing



general data

type	light barrier
version	transparency object detection
light source	pulsed PinPoint LED
background position Sde	60 ... 1000 mm
scanning range Sa	100% ... 85% Sde
minimal signal attenuation	10 % / 20 % / 30 %
power on indication	LED green
light indicator	LED yellow
sensing distance adjustment	Teach-in and IO-Link
wave length	630 nm
suppression of reciprocal influence	yes
alignment optical axis	< 1°

electrical data

response time / release time	< 0,25 ms
voltage supply range +Vs	10 ... 30 VDC
current consumption max. (no load)	40 mA
current consumption typ.	30 mA
voltage drop Vd	< 3 VDC
output function	light / dark operate
output circuit	push-pull
output current	< 100 mA
short circuit protection	yes
reverse polarity protection	yes

mechanical data

width / diameter	18 mm
height / length	45 mm
depth	32 mm
type	rectangular
housing material	plastic (ASA, PMMA)
front (optics)	PMMA
connection types	cable 4 pin, 2 m

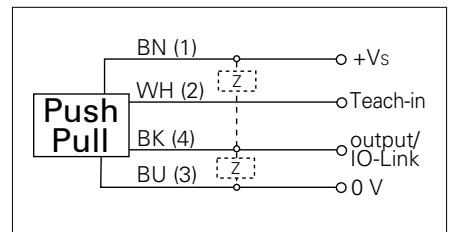
ambient conditions

operating temperature	-25 ... +60 °C
protection class	IP 67

photo



connection diagram



IO-Link



- qTeach
- IO-Link: V1.1, filter functions, qTeach lock adjustable
- signal attenuation adjustable