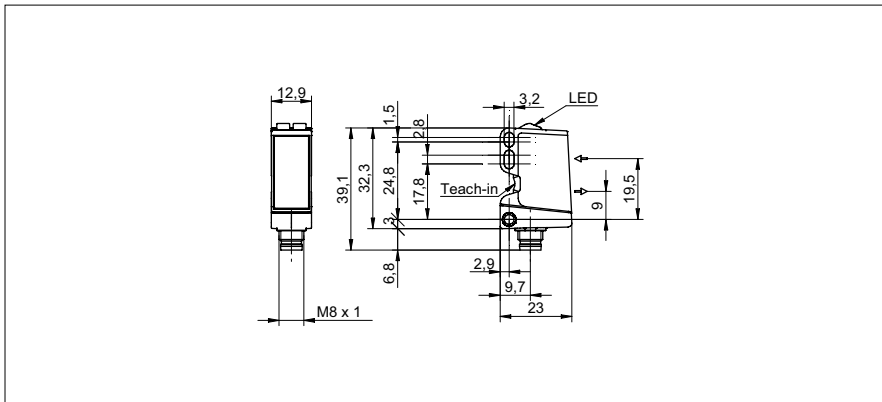


SmartReflect Light barriers

O300.SP-11199086

dimension drawing



general data

type	light barrier
version	line beam
light source	pulsed PinPoint LED
background position Sde	30 ... 120 mm
scanning range Sa	90% ... 85% Sde
power on indication	LED green
light indicator	LED yellow
sensing distance adjustment	Teach-in and IO-Link
wave length	630 nm
suppression of reciprocal influence	yes
beam type	line
alignment optical axis	< 2°

electrical data

response time / release time	< 1,5 ms
voltage supply range +Vs	10 ... 30 VDC
current consumption max. (no load)	45 mA
current consumption typ.	30 mA
voltage drop Vd	< 3 VDC
output function	light / dark operate
output circuit	push-pull
output current	< 100 mA
short circuit protection	yes
reverse polarity protection	yes

mechanical data

width / diameter	12,9 mm
height / length	32,3 mm
depth	23 mm
type	rectangular
housing material	plastic (ASA, PMMA)
front (optics)	PMMA
connection types	connector M8 4 pin

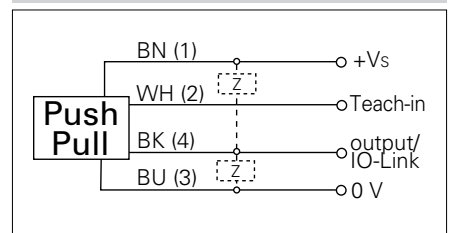
ambient conditions

operating temperature	-25 ... +60 °C
protection class	IP 67

photo



connection diagram



IO-Link



- qTeach
- IO-Link: V1.1, filter functions, qTeach lock adjustable

SmartReflect Light barriers

O300.SP-11199086

beam characteristic (typically)

