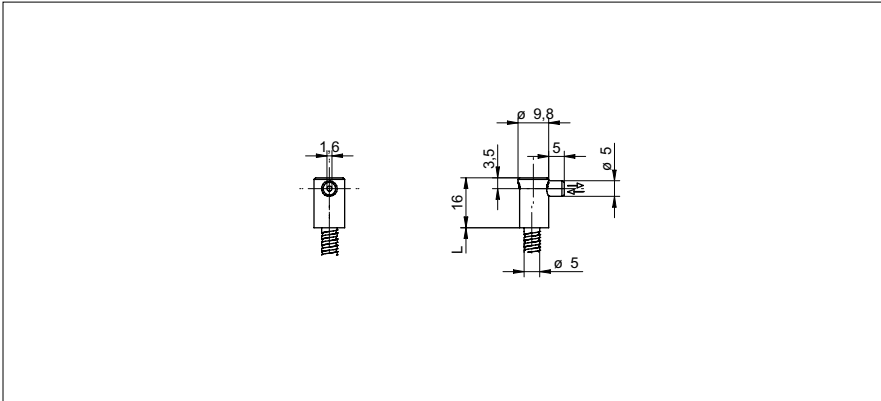


**Diffuse sensors fiber optics**

**FUF 050B4008**

**dimension drawing**



**general data**

|                                  |                                 |
|----------------------------------|---------------------------------|
| particular characteristics       | heat resistant<br>side view     |
| type                             | Diffuse sensors                 |
| sensing distance Tw              | 1 ... 60 mm                     |
| response time / release time     | 0,1 ... 1 ms                    |
| type of head (fiber optic cable) | cylindrical smooth (radial)     |
| width / diameter (head)          | 10 mm                           |
| height / length (head)           | 16 mm                           |
| material (head)                  | aluminum                        |
| bending radius                   | 15 mm (stat.)<br>30 mm (dynam.) |
| cable jacket diameter            | 5 mm                            |
| material cable jacket            | brass chromium plated           |
| fiber cross section              | 1 mm <sup>2</sup>               |
| material (fiber optic cable)     | glass                           |
| length (fiber optic cable)       | 500 mm                          |
| operating temperature            | -25 ... +120 °C                 |

**photo**



Sensing distance/response time:  
For the definitive sensing distance/response time please see table below "fitting fiber optic sensors".

| fitting fiber optic sensors | sensing distance Tw (0,1 ms) | sensing distance Tw (0,25 ms) | sensing distance Tw (0,5 ms) | sensing distance Tw (1 ms) |
|-----------------------------|------------------------------|-------------------------------|------------------------------|----------------------------|
| FVDM 15                     | 1 ... 50 mm                  | -                             | -                            | 1 ... 60 mm                |