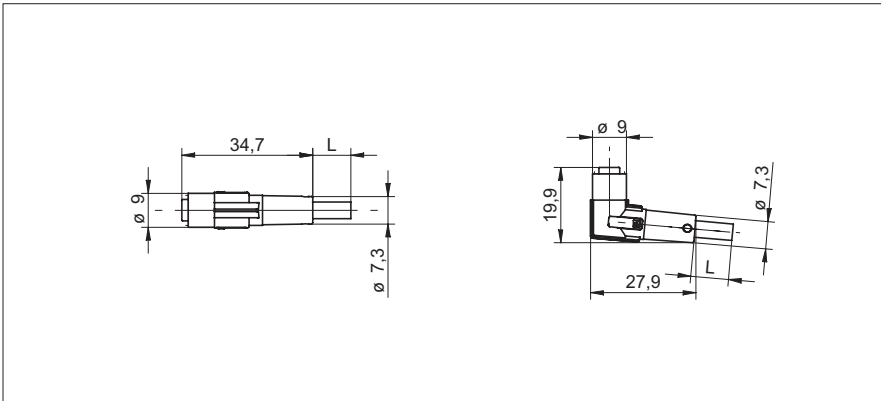


Connector M8 x 1 with attached PUR-cable

dimension drawing



- 4-wire
- PUR halogen-free
- Snap-In
- suitable for flexible cable carriers
- UL listing file No. E315836

General data

Nominal current I_N	4 A
Nominal voltage U_N	30 V
Number of positions	4
Volume resistance	$\leq 5 \text{ m}\Omega$
Insulation resistance	$\geq 100 \text{ M}\Omega$
Length of cable	see listing
Stripping length of the free conductor end	50 mm

General characteristics

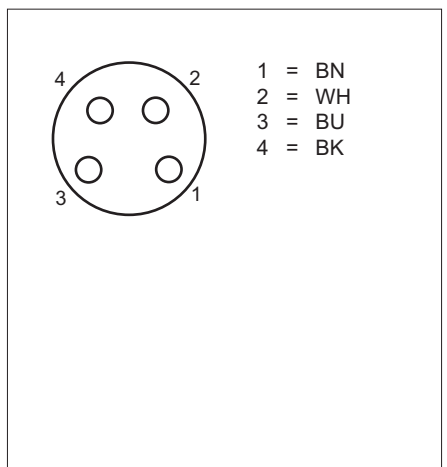
Coding	A-standard
Surge voltage category	II
Pollution degree	3
Degree of protection	IP65/IP67
Contact material	CuSn
Contact surface material	Ni/Au
Contact carrier material	TPU GF
Material of grip body	TPU, hardly inflammable, self-extinguishing
Sealing material	NBR
Status display	no

Conductor data

Cable type	PUR halogen-free black
Cable abbreviation	Li9Y11Y-HF
Conductor cross section	4x0,25 mm ²
AWG signal line	24
Conductor structure, signal line	32x0,10 mm
Core diameter including insulation	1,17 mm \pm 0,02 mm
Thickness, insulation	ca. 0,21 mm (Core insulation)
External cable diameter	3,95 \pm 0,15 mm
Wire colors	Brown, white, blue, black
External sheath, color	Black-gray RAL 7021

type	Mat.-No.	length
straight connectors		
ESG 09AH0200	11104511	2 m
ESG 09AH0500	11115190	5 m
angular connectors		
ESW 08AH0200	11191707	2 m
ESW 08AH0500	11096306	5 m
other lengths on request		

pin assignment



Connector M8 x 1 with attached PUR-cable

Conductor data (cont.)	
Conductor resistance	≤ 78 Ω/km
Nominal voltage, conductor	300 V
Test voltage, conductor	3000 V
Overall twist	4 wires, twisted
Outer sheath, material	PUR
Material conductor insulation	PP
Conductor material	Bare Cu litz wires
Cable weight	23 kg/km
Smallest bending radius, movable installation	40 mm
Number of bending cycles	10'000'000
Bending radius	44 mm
Traversing path	10 m
Traversing rate	3 m/s
Acceleration	5 m/s ²
Ambient temperature (operation)	-40 ... 80 °C (cable, fixed installation)
	-25 ... 80 °C (cable, flexible installation)
Special properties	Suitable for drag chains
	Silicone-free
	Free of substances which would hinder coating with paint or varnish
Flame resistance	As per UL 758/1581 FT2
	As per DIN EN 60332-2-2 (20 s)
Halogen-free	As per DIN VDE 0472 part 815
Resistance to oil	complying with DIN EN 60811-2-1
Other resistance	Highly resistant to acids, alkaline solutions and solvents
	hydrolysis and microbe resistant
	conditionally resistant a per DIN EN ISO 4892-2-A