

VIXG-10M.W.16

Gigabit Ethernet, 1.0 Megapixel, Monochrome, All-in-one design

Article number: 11729420

Overview

- 1280 × 800 px
- onsemi AR0144CS
- 1/4" GS CMOS
- 50 fps
- Gigabit Ethernet
- Integrated lens (16 mm) and lighting
- Auto focus
- Display and status LEDs
- Robust industrial housing with IP 67
- Polarization filter as accessory



Picture similar



GEN*i*CAM



Technical data

Sensor information

Sensor	onsemi AR0144CS
Mono/Color	Mono
Sensor type	1/4" CMOS
Shutter type	Global shutter
Resolution	1280 × 800 px
Pixel size	3.0 × 3.0 μm
Exposure time	0.0011 ... 5 ms

Acquisition formats

Image formats, interface frame rate max.	Full Frame, 1280 × 800 px, max. 50 fps
Pixel formats	Mono8

Image preprocessing

Analog controls	Gain 8x
Color models	Mono

Camera features

Basic Functions	Exposure Gain Trigger / Exposure Active (Flash) Free Running Mode (Live Image)
Auto Functions	Exposure Auto Focus Auto
Acquisition / Interface	Adjustable Framerate Device Link Throughput Limit
Synchronization	free running trigger
Trigger sources	Hardware Software
Trigger delay	0 ... 2 s, tracking and buffering of up to 16 trigger signals

Camera features

Process Synchronization	Trigger Delay Additional Output Modes (e.g. Trigger Ready)
Additional Functions	Integrated temperature sensor Readable additional information (e.g. sensor information) Light control

Optics and lighting

Lens	Integrated, f = 16 mm, F/1.8
Operating distance	100 ... 1000 mm
Field of View min.	23 x 14 mm
Field of View max.	240 x 150 mm
Focus	Electromechanical auto focus
Light source	LED illumination with 16 LED, four segments individually switchable

Display and controls

Indicator ring	4 RGB LED for ready / active / error
Pointer	Green (570 nm), approximate center of image
Display	OLED, 128 x 64 pixels, 0.96" with burn-in protection
Buttons	2 pcs qTeach buttons

Interfaces and connectors

Data interface	Gigabit Ethernet, Transfer rate 1000 Mbit/s, Connector: 8P8C Modular Jack (RJ45), screwable type
Process interface	M12/12-pin, A-coded, male
Power supply	via M12/12-pin, A-coded, male
USB Connection	Type C (do not use)

Mechanical data

Width	50 mm
-------	-------

VIXG-10M.W.16

Gigabit Ethernet, 1.0 Megapixel, Monochrome, All-in-one design

Article number: 11729420

Technical data

Mechanical data

Height	53 mm
Depth	50 mm
Weight	≤ 350 g
Material	zinc die casting and polycarbonate cover

Electrical data

Voltage supply range +Vs	+ 24 VDC ± 20 % , reverse polarity protected
Power consumption	Typ. 5.5 W (1.2 A max. at 24 V)

Non-volatile memory

Flash memory size	4 GB
-------------------	------

Environmental conditions

Operating temperature	0 ... +45 °C
Storage temperature	-10 ... +60 °C
Humidity	0 ... +85 % (non-condensing)
Protection class	IP 67

Environmental conditions

Vibration (sinusoidal)	1 mm p-p at f = 10 - 55 Hz, duration 5 min per axis 30 min endurance at f = 55 Hz per axis IEC 60068-2-6:2008
Shock (semi-sinusoidal)	30 g / 11 ms, 6 jolts per axis and direction IEC 60068-2-27:2009

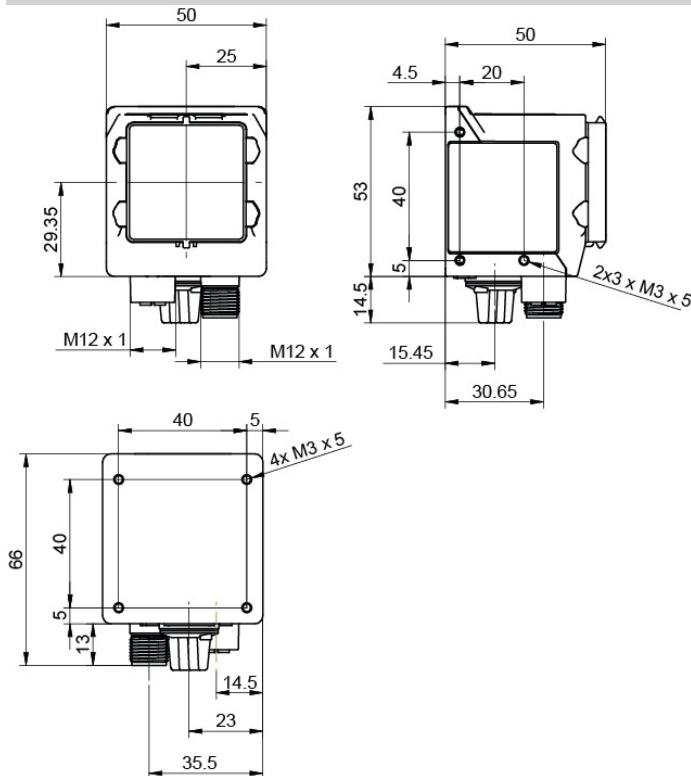
Digital I/Os

Lines	3 input lines with fixed debouncer (21 μs) 3 output lines
Output line sources	Off Alarm DeviceReady TriggerReady

Conformity

Conformity	CE RoHS
------------	------------

Dimension drawing



Pin assignment

Ethernet connection: GigE, socket M12, 8-pin, X-coded



Pin	Signal
1	MX1+
2	MX1-
3	MX2+
4	MX3+
5	MX3-
6	MX2-
7	MX4+
8	MX4-

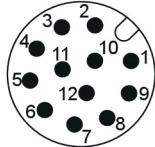
VIXG-10M.W.16

Gigabit Ethernet, 1.0 Megapixel, Monochrome, All-in-one design

Article number: 11729420

Pin assignment

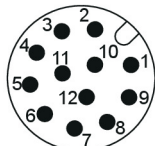
Electrical connection: Connector M12, 12-pin, A-coded



Pin	Signal
1	Power (+24 VDC ±20%)
2	Ground/2M
3	IN1 (Trigger) (Line 0)
4	IN2 (Line 1)
5	IN3 (Line 2)
6	OUT1 (Line 3)
7	(not used)
8	OUT2 (Line 4)
9	OUT3 (Line 5)
10	(not used)
11	(not used)
12	(not used)

Principle

Electrical connection: Connector M12, 12-pin, A-coded



Pin	Signal
1	Power (+24 VDC ±20%)
2	Ground/2M
3	IN1 (Trigger) (Line 0)
4	IN2 (Line 1)
5	IN3 (Line 2)
6	OUT1 (Line 3)
7	(not used)
8	OUT2 (Line 4)
9	OUT3 (Line 5)
10	(not used)
11	(not used)
12	(not used)

Principle

Ethernet connection: GigE, socket M12, 8-pin, X-coded



Pin	Signal
1	MX1+
2	MX1-
3	MX2+
4	MX3+
5	MX3-
6	MX2-
7	MX4+
8	MX4-

