

VCXU-22C.R

USB 3.0, 2,1 Megapixel, Color

Article number: 11184369

Overview

- 1920 x 1080 px
- Sony IMX290
- 1/2.8" CMOS
- 138 fps
- USB 3.0



Picture similar



Technical data

Sensor information

| | |
|---------------|---|
| Sensor | Sony IMX290 |
| Mono/Color | Color |
| Sensor type | 1/2.8" CMOS |
| Shutter type | Rolling shutter Global reset shutter |
| Resolution | 1920 × 1080 px |
| Pixel size | 2.9 × 2.9 µm |
| Exposure time | 0.015 ... 60000 ms |

Acquisition formats

| | |
|---|---|
| Image formats, interface frame rate max. | Full Frame, 1920 × 1080 px, max. 138 fps Binning 2×2, 960 × 540 px, max. 138 fps Binning 2×1, 960 × 1080 px, max. 138 fps Binning 1×2, 1920 × 540 px, max. 138 fps |
| Image formats, acquisition frame rate max. (Burst Mode) | Full Frame, 1920 × 1080 px, max. 60 fps |
| Pixel formats | BayerRG8 BayerRG10 BayerRG12 BayerRG12 Packed Mono8 Mono10 Mono12 Mono12 Packed |

Image preprocessing

| | |
|-----------------|---|
| Analog controls | Gain (0 ... 48 dB) Offset (0 ... 255 LSB 12 Bit) |
|-----------------|---|

Image preprocessing

| | |
|--------------|---------------------------------|
| Color models | Mono Raw Bayer RGB BGR |
|--------------|---------------------------------|

Camera features

| | |
|-------------------------|---|
| Basic Functions | Exposure Gain / Color Gain Trigger / Exposure Active (Flash) Binning 2x2 Partial Scan Offset Free Running Mode (Live Image) |
| Auto Functions | Exposure Auto Gain Auto White Balance Auto Color Transformation Auto |
| Image Pre-processing | Image Flipping (X/Y) Color Processing (RGB, BGR, Mono) Color Enhancement (with optimized ColorTransformationMatrix) LUT / Gamma |
| Acquisition / Interface | Burst Mode Adjustable Framerate Device Link Throughput Limit Internal Image Buffer |
| Synchronization | free running trigger |
| Trigger sources | Hardware Software |

VCXU-22C.R

USB 3.0, 2,1 Megapixel, Color

Article number: 11184369

Technical data

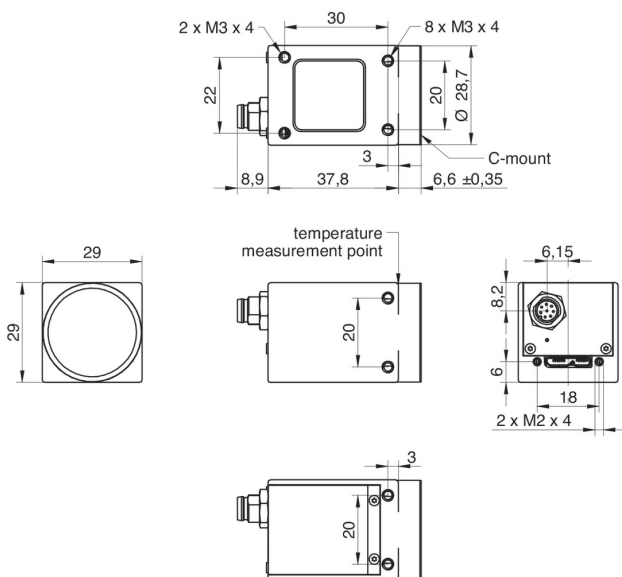
Camera features

| | |
|-------------------------|--|
| Trigger delay | 0 ... 2 s, tracking and buffering of up to 256 trigger signals |
| Process Synchronization | Events Timer Trigger Delay Debouncer Counter Trigger via Action CMD (GigE) Additional Output Modes (e.g. Trigger Ready) Chunk data inside transferred image Encoder support via Counter End trigger source |
| Additional Functions | User Set Integrated temperature sensor Readable additional information (e.g. sensor information) |
| Calibration data | Integrated color correction matrix (3000 K, 5000 K, 6500 K, 9500 K, and user defined) Customer data storage (128 bytes user defined) |
| Internal image buffer | 469 MB 79 images (Trigger Mode) 1 image (Free Running Mode) |

Interfaces and connectors

| | |
|-------------------|--|
| Data interface | USB 3.0, Transfer Rate 5000 Mb/s, Connector: USB 3.0 Micro B |
| Process interface | M8 / 8 pins (SACC-DSI-M8MS-8CON-M8-L180) |
| Power supply | via USB 3.0 interface |

Dimension drawing



Mechanical data

| | |
|------------|---|
| Lens mount | C-mount |
| Width | 29 mm |
| Height | 29 mm |
| Depth | 38 mm |
| Weight | ≤ 90 g |
| Material | zinc die casting, baked varnish (until 02-2020 nickel-chrome-plated), IP 40 |

Electrical data

| | |
|-------------------|------------------------------|
| Power consumption | Approx. 2.8 W @ 138 fps |
| Operating voltage | 5 VDC (via USB3.0 interface) |

Non-volatile memory

| | |
|-------------------|--------|
| Flash memory size | 128 kB |
|-------------------|--------|

Environmental conditions

| | |
|-----------------------|-------------------------------------|
| Operating temperature | 0 ... +65 ° @ T = measurement point |
| Storage temperature | -20 ... +70 °C |
| Humidity | 10 ... 90 % (non-condensing) |
| Protection class | IP 40 (with mounted lens and cable) |

Digital I/Os

| | |
|-------|--|
| Lines | 1 input line 1 output line 2 general purpose lines |
|-------|--|

Conformity

| | |
|------------|------------------------------------|
| Conformity | CE RoHS UL recognized EAC |
|------------|------------------------------------|