

# V CXG-32M.I.PTP

Gigabit Ethernet, 3,1 Megapixel, Monochrome

Article number: 11217696

## Overview

- 2048 x 1536 px
- Sony IMX265
- 1/1.8" CMOS
- 39 fps
- Gigabit Ethernet



Picture similar



GEN<i>i>CAM



## Technical data

### Sensor information

Sensor	Sony IMX265 Gen2
Mono/Color	Mono
Sensor type	1/1.8" CMOS
Shutter type	Global shutter
Resolution	2048 × 1536 px
Pixel size	3.45 × 3.45 µm
Exposure time	0.001 ... 60000 ms

### Acquisition formats

Image formats, interface frame rate max.	Full Frame, 2048 × 1536 px, max. 39 fps Binning 2×2, 1024 × 768 px, max. 56 fps Binning 2×1, 1024 × 1536 px, max. 56 fps Binning 1×2, 2048 × 768 px, max. 56 fps
Image formats, acquisition frame rate max. (Burst Mode)	Full Frame, 2048 × 1536 px, max. 56 fps
Pixel formats	Mono8 Mono10 Mono12 Mono12 Packed

### Image preprocessing

Analog controls	Gain (0 ... 48 dB) Offset (0 ... 255 LSB 12 Bit)
Color models	Mono

### Camera features

Basic Functions	Exposure Gain Trigger / Exposure Active (Flash) Binning 2x2 Partial Scan Offset Free Running Mode (Live Image)
Auto Functions	–
Image Pre-processing	Image Flipping (X/Y) LUT / Gamma
Acquisition / Interface	Burst Mode Adjustable Framerate Short Exposure Time Enable Device Link Throughput Limit Internal Image Buffer
Synchronization	free running trigger
Trigger sources	Hardware Software ActionCommand
Trigger delay	0 ... 2 s, tracking and buffering of up to 256 trigger signals

2024-12-09 The product features and technical data specified do not express or imply any warranty. Technical modifications subject to change.

# V CXG-32M.I.PTP

Gigabit Ethernet, 3,1 Megapixel, Monochrome

Article number: 11217696

## Technical data

### Camera features

Process Synchronization	<ul style="list-style-type: none"> <li>Events</li> <li>Timer</li> <li>Trigger Delay</li> <li>Debouncer</li> <li>Counter</li> <li>Sequencer</li> <li>Trigger via Action CMD (GigE)</li> <li>Action CMD Request ID</li> <li>Trigger ID inside Chunk</li> <li>Additional Output Modes (e.g. Trigger Ready)</li> <li>PWM (PWM Duration / PWM Duty Cycle)</li> <li>4 power outputs with up to 120 W (max. 48 V / 2.5 A)</li> <li>Selectable Output format (e.g. Tri State, Push Pull)</li> <li>Chunk data inside transferred image</li> <li>Encoder support via Counter End trigger source</li> </ul>
-------------------------	--

Time synchronization IEEE 1588	<ul style="list-style-type: none"> <li>IEEE 1588 / Master and Slave function</li> <li>IEEE 1588 / Scheduled Action CMD</li> <li>IEEE 1588 / Synchronized Acquisition Framerate</li> </ul>
--------------------------------	---

Additional Functions	<ul style="list-style-type: none"> <li>User Set</li> <li>Integrated temperature sensor</li> <li>Readable additional information (e.g. sensor information)</li> <li>Save Custom Data</li> </ul>
----------------------	--

Internal image buffer	<ul style="list-style-type: none"> <li>72 MB</li> <li>8 images (Trigger Mode)</li> <li>1 image (Free Running Mode)</li> </ul>
-----------------------	---

### Interfaces and connectors

Data interface	<ul style="list-style-type: none"> <li>Gigabit Ethernet, Transfer rate 1000 Mbits/sec, Fast Ethernet, Transfer rate 100 Mbits/sec, Connector: M12 / 8 pol x-coded, screwable type</li> </ul>
----------------	--

Process interface	<ul style="list-style-type: none"> <li>M12 / 12 pins a-coded (SACC-CI-M12MS-12CON-L180)</li> </ul>
-------------------	--

Power supply	<ul style="list-style-type: none"> <li>via M12/12 pins a-coded or Power over Ethernet (PoE)</li> </ul>
--------------	--

### Mechanical data

Lens mount	C-mount
Width	40 mm
Height	40 mm
Depth	50.8 mm
Weight	≤ 137 g
Material	aluminum, hard-anodized

### Electrical data

Voltage supply range +Vs	<ul style="list-style-type: none"> <li>12 ... 24 V DC (external power supply)</li> <li>36 ... 57 V DC (Power over Ethernet)</li> </ul>
Power consumption	<ul style="list-style-type: none"> <li>Approx. 2.3 W @ 12 VDC and 39 fps</li> <li>Approx. 2.9 W @ 48 VDC (PoE) and 39 fps</li> </ul>

### Non-volatile memory

Flash memory size	128 kB
-------------------	--------

### Environmental conditions

Operating temperature	0 ... +65 ° @ T = measurement point
Storage temperature	-20 ... +70 °C
Humidity	10 ... 90 % (non-condensing)
Protection class	<ul style="list-style-type: none"> <li>IP 54 (with mounted lens and cable)</li> <li>IP 65 (with mounted tube and cable)</li> <li>IP 67 (with mounted tube and cable)</li> <li>IP 69K (with stainless steel housing accessory)</li> </ul>

### Digital I/Os

Lines	<ul style="list-style-type: none"> <li>4 input lines</li> <li>4 power output lines with pulse width modulation (PWM) (max. 48 V / max. 2,5 A)</li> </ul>
-------	--

### Conformity

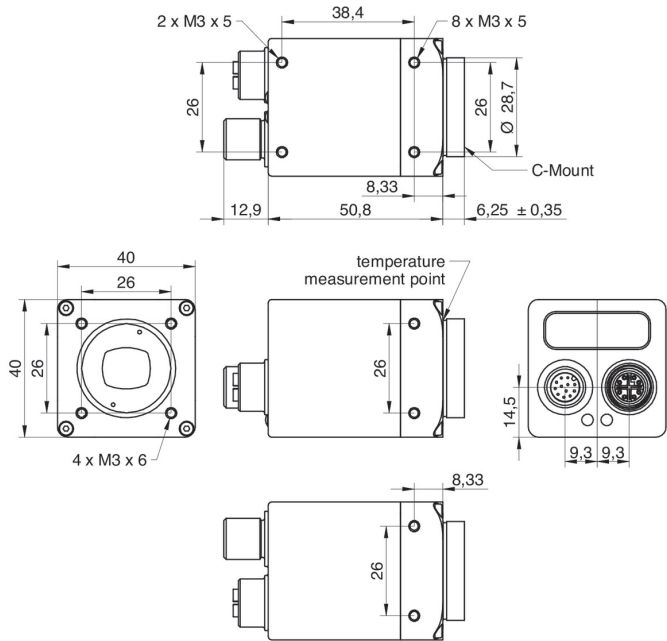
Conformity	<ul style="list-style-type: none"> <li>CE</li> <li>RoHS</li> <li>UL recognized</li> <li>KC (R-R-BkR-V CXG-51MI)</li> </ul>
------------	--

# VCXG-32M.I.PTP

Gigabit Ethernet, 3,1 Megapixel, Monochrome

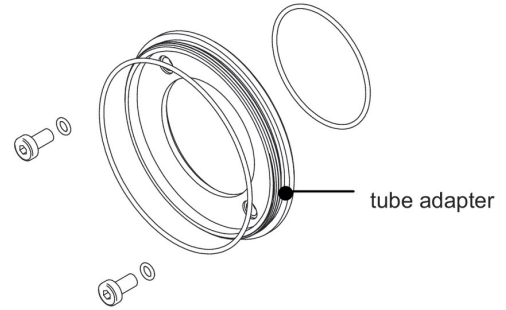
Article number: 11217696

## Dimension drawing



## Principle

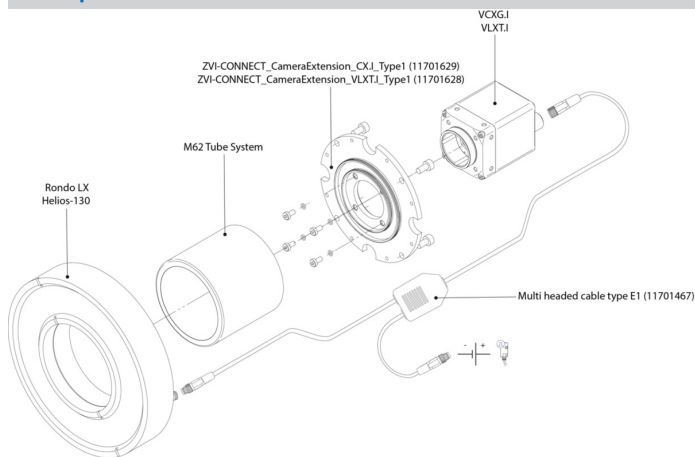
Optional accessories for protection class IP 65/67:



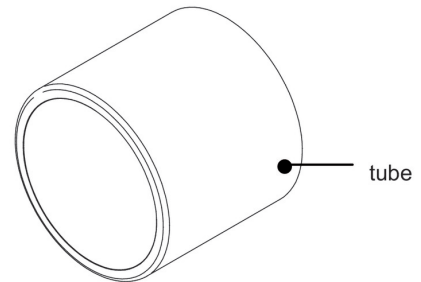
tube adapter

- hard-anodized, incl. sealing and screws  
 Ø 49,5 mm (VCXG.I 11185373)  
 Ø 65 mm (VCXG.I 11185377)  
 Ø 95 mm (VCXG.I 11704311)  
 Ø 65 mm (VLXT 11193125)  
 Ø 95 mm (VLXT.EF 11704315)

## Principle

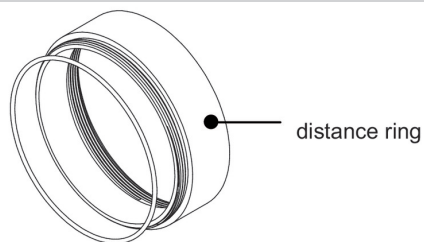


tube



- hard-anodized, cover glass PMMA  
 Ø 49,5 mm, Length 44 mm (11185370)  
 Ø 65 mm, Length 58 mm (11185374)  
 Ø 95 mm, length 70 mm (11704312)
- hard-anodized, tempered laminated safety glass  
 Ø 49,5 mm, Length 44 mm (11701124)  
 Ø 65 mm, Length 58 mm (11701125)

## Principle



distance ring

- hard-anodized, incl. sealing
  - Ø 49,5 mm, Length 6 mm (11185372)
  - Ø 49,5 mm, Length 12 mm (11185371)
  - Ø 49,5 mm, Length 36 mm (11211571)
  
  - Ø 65 mm, Length 6 mm (11185376)
  - Ø 65 mm, Length 12 mm (11185375)
  - Ø 65 mm, Length 36 mm (111988906)
  
  - Ø 95 mm, length 6 mm (11704395)
  - Ø 95 mm, length 12 mm (11704397)
  - Ø 95 mm, length 36 mm (11704394)