

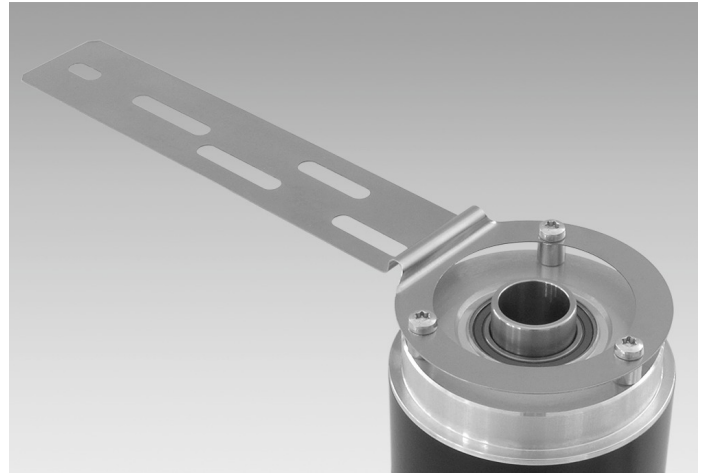
Torque arm, 1-arm (mounting kit 008)

Bolt circle $\varnothing 65.5 \dots 281$ mm, mounting M4, can be cut to length

Article number: 11066164

Overview

- Universal mounting option by several pitch diameters.



Technical data

Technical data - mechanical design

Weight approx. 17 g

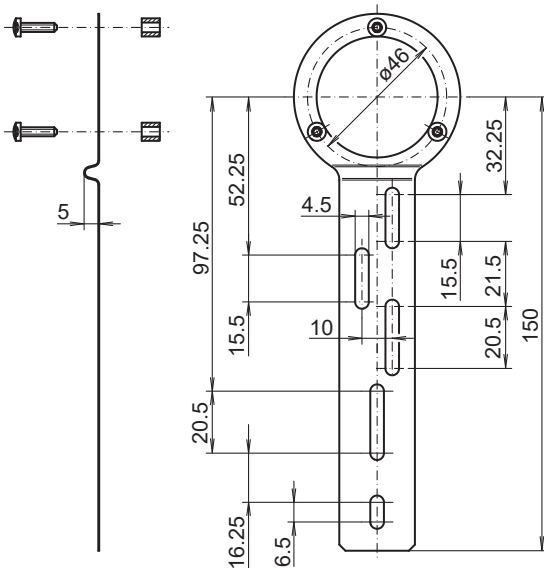
Description

Mount the torque support with the screws on the encoder. Push encoder onto the drive shaft and mount torque support onto the client side. Fastening clamping ring with clamping ring screw.

Scope of delivery

Torque support, 3 screws M3 x 12 (ISO 14583 - TX10) with 3 spacers 6 mm

Dimensions



Assembly drawing

