

Overview

- Input: NPN, PNP, Namur, TTL, 10...600 VAC
- Reading as 1/s, 1/min, 1/h, programmable
- Display range can be linearised
- Frequency 0.01 Hz...7 kHz
- Period duration measurement
- LED display, 4-digits, programmable
- DIN housing 48 x 24 mm


Technical data
Technical data - electrical ratings

Voltage supply	85...265 VAC 100...300 VDC
Nominal frequency	50 / 60 Hz
Power consumption	2.2 W
Sensor supply	5 V, 8 V or 12 V programmable / 60 mA
Display	LED, 7-segment display (with 60 unit stickers for front)
Display color	1 color - red
Number of digits	4-digits
Digit height	10 mm
Display range	9999 ("OuE" to signal overflow)
Display refresh	0.1 ... 9.9 s (programmable)
Function	Digital display of frequency or speed
Programmable parameters	Measuring units 1/h, 1/min, 1/s Sensor logic Decimal point Sensor supply Impulse evaluation
Limits	Without
Measuring principle	Period duration measurement
Signal inputs	Programmable as NPN, PNP, Namur, TTL, 10...600 VAC or contact
Inputs	NPN PNP Namur TTL Current 10...600 VAC

Technical data - electrical ratings

Counting frequency	0.01 Hz...7 kHz (20 Hz if contact input)
Scaling factor	1...9999
Data memory	>10 years in EEPROM
Analog output	Without
Outputs relay	Without
Standard DIN EN 61010-1	ISO 16750-2 (Electrical loads)
Emitted interference	EN 61000-6-3
Interference immunity	EN 61000-6-2

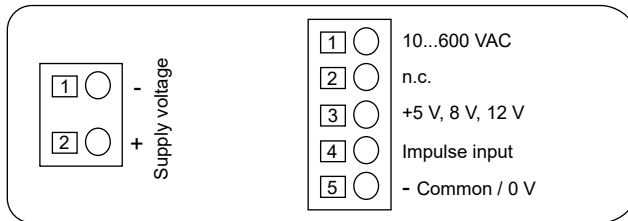
Technical data - mechanical design

Ambient temperature	-10...+60 °C
Storage temperature	-25...+85 °C
Relative humidity	95 % non-condensing
Connection	Spring-loaded terminal connector, detachable
Core cross-section	1 mm ² (Grid 2.54) 2.5 mm ² (Grid 7.62)
Protection EN 60529	IP 65 (face)
Operation / keypad	3 softkeys below bezel
Housing type	Built-in housing
Dimensions W x H x L	1/32 DIN 48 x 24 x 106 mm
Cutout dimensions	45 x 22.2 mm (+0.3)
Mounting depth	95 mm
Mounting type	Front panel installation by clip frame
Weight approx.	50 g
Material	Housing: Polycarbonate, UL 94V-0

Inputs and outputs

Signal input	Specification
PNP	High level >2.6 V Low level <2.4 V Input resistance 1.5 kΩ
NPN	High level >2.6 V Low level <2.4 V Input resistance 3.9 kΩ
NAMUR	I _{on} <1 mA, I _{off} >3 mA Input resistance 1.5 kΩ
Magnetic sensor	V _{in} >30 mV _{eff} at 60 Hz V _{in} >300 mV _{eff} at 6 kHz
Contact	Input resistance 3.9 kΩ
Voltage 10...600 VAC	Measuring the frequency of the voltage

Connection diagram

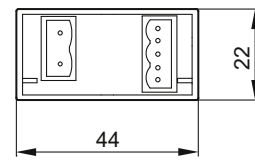
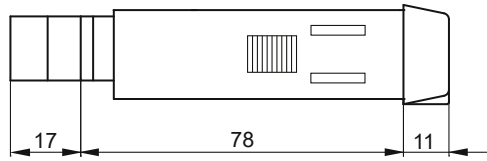
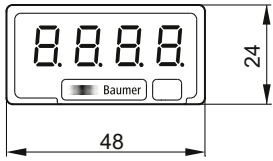


TA1200.004AX01

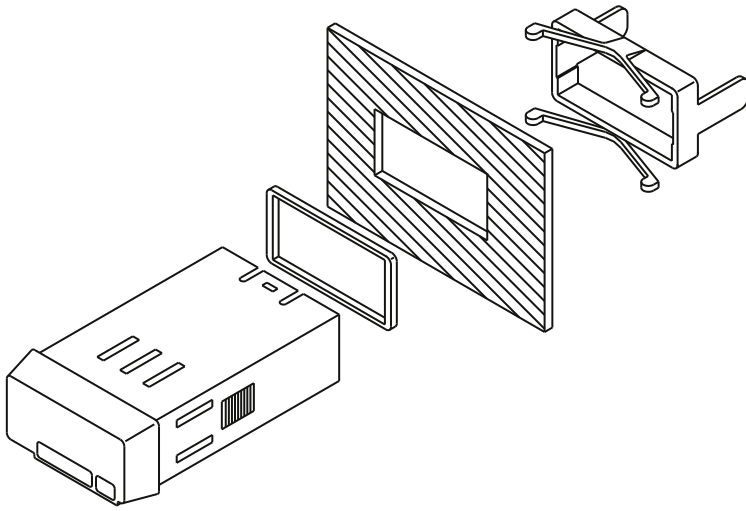
For RPM, speed, frequency

Article number: 11041705

Dimensions



TA1200 - without clip frame



Clip frame mounting