

Overview

- Voltage input ± 10 V, ± 60 VDC
- Voltage input ± 100 mVDC for measurements by external current shunt (precision resistor)
- Current input ± 20 mA
- Programmable characteristic curve with 16 control points
- Sensor supply
- 2 relay outputs
- LED display, 4 digits, programmable
- DIN housing 48 x 24 mm


Technical data
Technical data - electrical ratings

Voltage supply	21...53 VAC 10.5...70 VDC
Nominal frequency	50 / 60 Hz
Power consumption	6 VA 5 W
Sensor supply	24 VDC ± 25 % / max. 30 mA
Display	LED, 7-segment display (programmable display intensity in 4 levels, with 60 unit stickers for front)
Display color	1 color - red
Number of digits	4-digits
Digit height	10 mm
Display range	-1999...9999 ("OuE" to signal overflow)
Display refresh	200 ms
Function	Digital display of 1 analog measured value With Min/Max memory and tare function
A/D transformer	Principle $\Sigma\Delta$ Resolution 16 bit Measuring rate 25/s Measuring accuracy $\pm(0.1$ % +3-digit) Temp. coeffic. 100 ppm/ $^{\circ}$ C
Analog input	Current or voltage input
Programmable parameters	Measuring range Display range can be linearised Decimal point Display intensity Display stabilization filter Relay outputs with time delay or hysteresis

Technical data - electrical ratings

Limits	2
Inputs	Voltage ± 10 V Voltage ± 60 VDC Voltage ± 100 mVDC Current ± 20 mA
Data memory	>10 years in EEPROM
Analog output	Without
Outputs relay	2 normally open contact
Standard DIN EN 61010-1	ISO 16750-2 (Electrical loads)
Emitted interference	EN 61000-6-3
Interference immunity	EN 61000-6-2

Technical data - mechanical design

Ambient temperature	-10...+60 $^{\circ}$ C
Storage temperature	-25...+85 $^{\circ}$ C
Relative humidity	95 % non-condensing
Connection	Spring-loaded terminal connector, detachable
Core cross-section	1 mm ² (Grid 2.54) 2.5 mm ² (Grid 7.62)
Protection EN 60529	IP 65 (face)
Operation / keypad	3 softkeys below bezel
Housing type	Built-in housing
Dimensions W x H x L	1/32 DIN 48 x 24 x 136 mm
Cutout dimensions	45 x 22.2 mm (+0.3)
Mounting depth	125 mm
Mounting type	Front panel installation by clip frame
Weight approx.	100 g
Material	Housing: Polycarbonate, UL 94V-0

Inputs and outputs

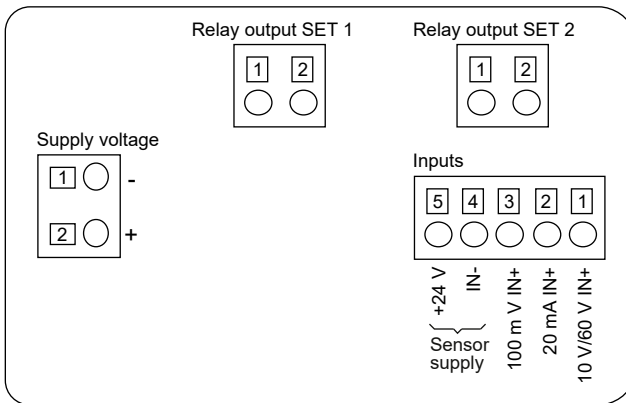
Analog input

Sensing range	Resolution	Input resistance
±10 V	1 mV	1 MΩ
±60 V	10 mV	1 MΩ
±100 mV	0.1 mV	100 MΩ
±20 mA	1 μA	12 Ω

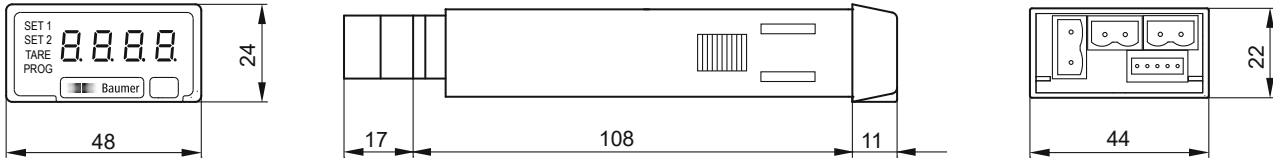
Relay outputs (SET 1, SET 2)

Switching voltage max.	250 VAC / 110 VDC
Switching current max.	1 A
Switching performance max.	150 VA / 30 W

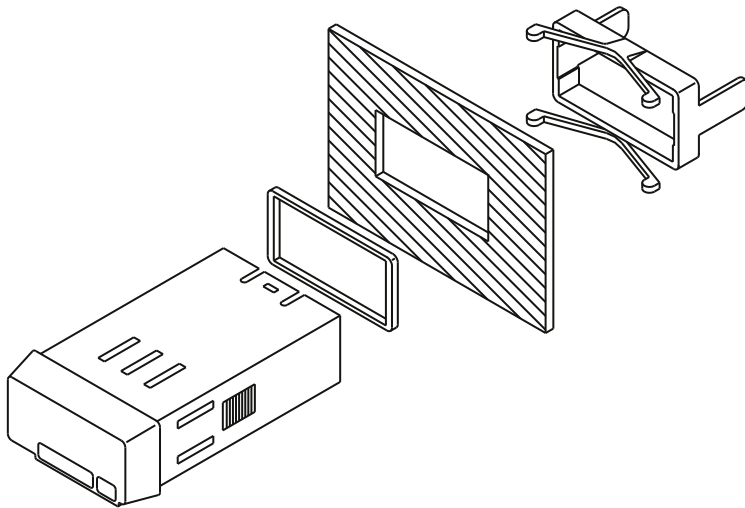
Connection diagram



Dimensions



PA220 - without clip frame



Clip frame mounting (Seal and Clamping frame included in the scope of delivery)