

Overview

- Voltage input 8...32 VDC
- Capable of battery voltage
- Supply via input signal
- LED display, 3-digits
- DIN housing 48 x 24 mm


Technical data
Technical data - electrical ratings

| | |
|-------------------|--|
| Voltage supply | External supply |
| Power consumption | 0.7 W |
| Display | LED, 7-segment display (with 60 unit stickers for front) |
| Display color | 1 color - red |
| Number of digits | 3-digits |
| Digit height | 10 mm |
| Display range | 8...32 ("OuE" to signal overflow) |
| Display refresh | 500 ms |
| Function | Digital display of 1 analog measured value |
| A/D transformer | Ramp Resolution 14 bit Measuring rate 166/s Measuring accuracy $\pm(0.1\% + 3\text{-digit})$ Temp. coeff. 100 ppm/°C |
| Analog input | Supply 8...32 V Resolution 0.1 V |
| Limits | Without |
| Inputs | Voltage 8...32 VDC |
| Data memory | >10 years in EEPROM |
| Analog output | Without |

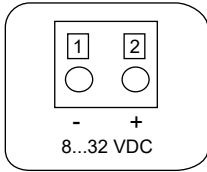
Technical data - electrical ratings

| | |
|-------------------------|--------------------------------|
| Outputs relay | Without |
| Standard DIN EN 61010-1 | ISO 16750-2 (Electrical loads) |
| Emitted interference | EN 61000-6-3 |
| Interference immunity | EN 61000-6-2 |

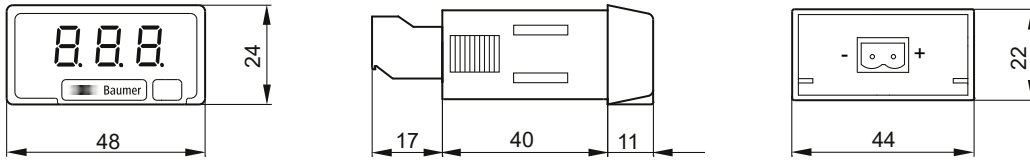
Technical data - mechanical design

| | |
|----------------------|--|
| Ambient temperature | -10...+60 °C |
| Storage temperature | -25...+85 °C |
| Relative humidity | 95 % non-condensing |
| Connection | Spring-loaded terminal connector, detachable |
| Core cross-section | 1 mm ² (Grid 2.54) 2.5 mm ² (Grid 7.62) |
| Protection EN 60529 | IP 65 (face) |
| Operation / keypad | 3 softkeys below bezel |
| Housing type | Built-in housing |
| Dimensions W x H x L | 1/32 DIN 48 x 24 x 68 mm |
| Cutout dimensions | 45 x 22.2 mm (+0.3) |
| Mounting depth | 57 mm |
| Mounting type | Front panel installation by clip frame |
| Weight approx. | 50 g |
| Material | Housing: Polycarbonate, UL 94V-0 |

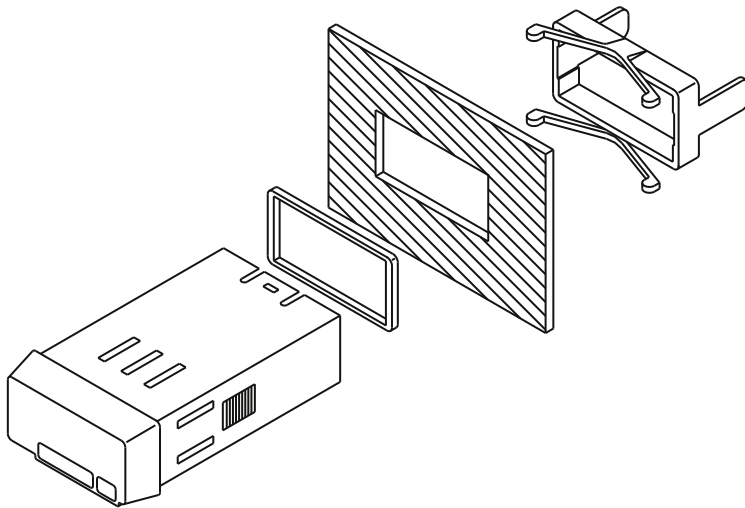
Connection diagram



Dimensions



PA213 - without clip frame



Clip frame mounting