

Overview

- Voltage input up to 600 V AC/DC
- Current input up to 5 A AC/DC
- Display range can be linearised
- LED display, 4 digits, programmable
- DIN housing 48 x 24 mm



Technical data

Technical data - electrical ratings

Voltage supply	21...53 VAC 10.5...70 VDC
Nominal frequency	50 / 60 Hz
Power consumption	1.8 W
Display	LED, 7-segment display (with 60 unit stickers for front)
Display color	1 color - red
Number of digits	4-digits
Digit height	10 mm
Display range	-1999...9999 (DC) 0...9999 AC ("OuE" to signal overflow)
Display refresh	250 ms
Function	Digital display of 1 analog measured value
A/D transformer	Principle $\Sigma\Delta$ Resolution 16 bit Measuring rate 20/s Measuring accuracy $\pm(0.1\% +3\text{-digit})$ Temp. coeff. 100 ppm/ $^{\circ}\text{C}$
Analog input	Current or voltage input
Programmable parameters	Measuring range Measuring unit Display range can be linearised Decimal point
Limits	Without
Inputs	Voltage up to 600 V AC/DC Current up to 5 A AC/DC

Technical data - electrical ratings

Data memory	>10 years in EEPROM
Analog output	Without
Outputs relay	Without
Standard DIN EN 61010-1	ISO 16750-2 (Electrical loads)
Emitted interference	EN 61000-6-3
Interference immunity	EN 61000-6-2

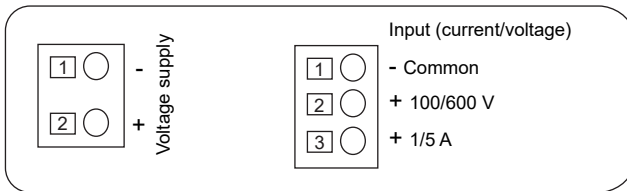
Technical data - mechanical design

Ambient temperature	-10...+60 $^{\circ}\text{C}$
Storage temperature	-25...+85 $^{\circ}\text{C}$
Relative humidity	95 % non-condensing
Connection	Spring-loaded terminal connector, detachable
Core cross-section	1 mm ² (Grid 2.54) 2.5 mm ² (Grid 7.62)
Protection EN 60529	IP 65 (face)
Operation / keypad	3 softkeys below bezel
Housing type	Built-in housing
Dimensions W x H x L	1/32 DIN 48 x 24 x 106 mm
Cutout dimensions	45 x 22.2 mm (+0.3)
Mounting depth	95 mm
Mounting type	Front panel installation by clip frame
Weight approx.	50 g
Material	Housing: Polycarbonate, UL 94V-0

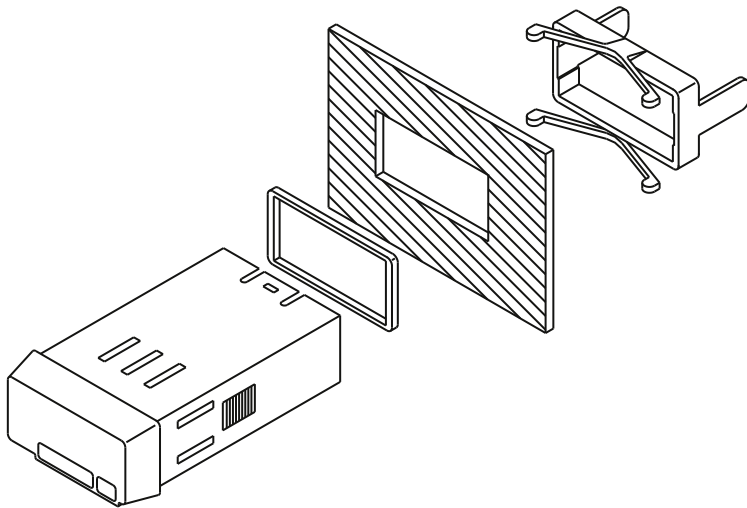
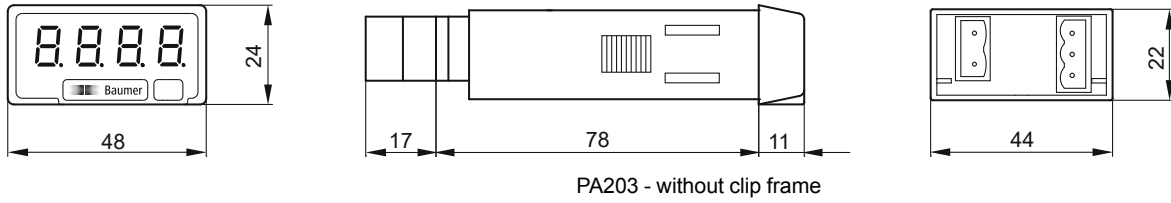
Inputs and outputs

Input	Input configuration	Resolution	Measuring range
Voltage AC	<input type="checkbox"/> 100 <input type="checkbox"/> 600	0.1 V	0...100 V 0...600 V
Voltage DC	<input type="checkbox"/> 100 <input type="checkbox"/> 600	0.1 V	-100...100 V -199.9...600 V
Current AC	<input type="checkbox"/> 1A <input type="checkbox"/> 5A	1 mA	0...1 A 0...5 A
Current DC	<input type="checkbox"/> 1A <input type="checkbox"/> 5A	1 mA	-1...1 A -1.999...5 A

Connection diagram



Dimensions



Clip frame mounting (Seal and Clamping frame included in the scope of delivery)