

## OPDM 12P5101/S35A

Retro-reflective sensors - miniature

Article number: 10132220

### Overview

- retro-reflective laser sensor
- 7 m
- pulsed red laser diode
- PNP
- no
- connector M8 4 pin
- -10 ... 50 °C
- IP 67



Picture similar



### Technical data

#### General data

Type	Retro-reflective laser sensor
Version	Single lens optics
Light source	Pulsed red laser diode
Actual range Sb	7 m
Nominal range Sn	8 m
Repeat accuracy	0.1 mm at laser focus
Polarization filter	Yes
Alignment / soiled lens indicator	Flashing light indicator
Light indicator	LED yellow
Power on indication	LED green
Sensitivity adjustment	No
Laser class	2
Distance to focus	400 mm
Wave length	650 nm

#### Electrical data

Response time / release time	< 0.1 ms
Voltage supply range +Vs	10 ... 30 VDC
Current consumption max. (no load)	50 mA

#### Electrical data

Current consumption typ.	40 mA
Voltage drop Vd	< 1.8 VDC
Output function	Light / dark operate
Output circuit	PNP
Output current	< 100 mA
Short circuit protection	Yes
Reverse polarity protection	Yes

#### Mechanical data

Width / diameter	12.4 mm
Height / length	35 mm
Depth	35 mm
Type	Rectangular
Housing material	Die-cast zinc
Front (optics)	Glass
Connection types	Connector M8 4 pin

#### Ambient conditions

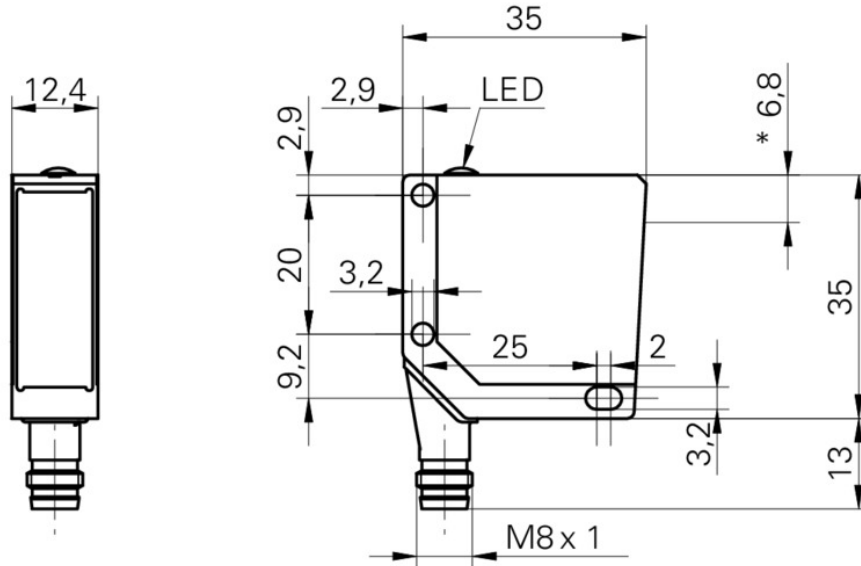
Operating temperature	-10 ... +50 °C
Protection class	IP 67

# OPDM 12P5101/S35A

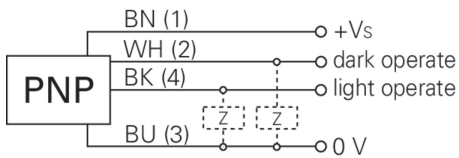
Retro-reflective sensors - miniature

Article number: 10132220

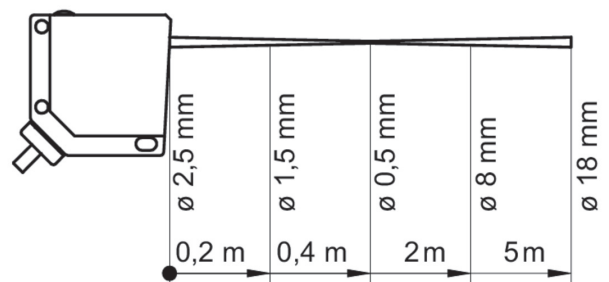
## Technical drawings




## Connection diagram



## Beam characteristic (typically)



## Laser warning



**LASER RADIATION**  
**DO NOT STARE INTO BEAM**  
Wavelength: 640...670nm  
IEC 60825-1, Ed. 3, 2014  
**CLASS 2 LASER PRODUCT**

IEC 60825-1/2014 Complies with 21 CFR 1040.10 and 1040.11 except for conformance with IEC 60825-1 Ed. 3., as described in Laser Notice No. 56, dated May 8, 2019