

OPDK 14P3902/S14

Retro-reflective sensors - for longer ranges

Article number: 11001310

Overview

- retro-reflective laser sensor
- 4,5 m
- pulsed red laser diode
- PNP
- Teach-in
- connector M12 4 pin
- 10 ... 50 °C
- IP 67



Picture similar



Technical data

General data

Type	Retro-reflective laser sensor
Version	Transparency object detection Single lens optics
Light source	Pulsed red laser diode
Actual range Sb	4.5 m
Nominal range Sn	5.2 m
Repeat accuracy	0.1 mm at laser focus
Polarization filter	Yes
Light indicator	LED yellow
Power on indication	LED green
Sensitivity adjustment	Teach-in
Laser class	1
Distance to focus	100 mm
Wave length	650 nm

Electrical data

Response time / release time	< 0.25 ms
Voltage supply range +Vs	10 ... 30 VDC
Current consumption max. (no load)	35 mA

Electrical data

Current consumption typ.	25 mA
Voltage drop Vd	< 2.2 VDC
Output function	Dark operate
Output circuit	PNP
Output current	< 100 mA
Teach value stored after power-off	Volatile
Short circuit protection	Yes
Reverse polarity protection	Yes

Mechanical data

Width / diameter	14.8 mm
Height / length	43 mm
Depth	31 mm
Type	Rectangular
Housing material	Plastic (ASA, MABS)
Front (optics)	PMMA
Connection types	Connector M12 4 pin

Ambient conditions

Operating temperature	-10 ... +50 °C
Protection class	IP 67

Remarks

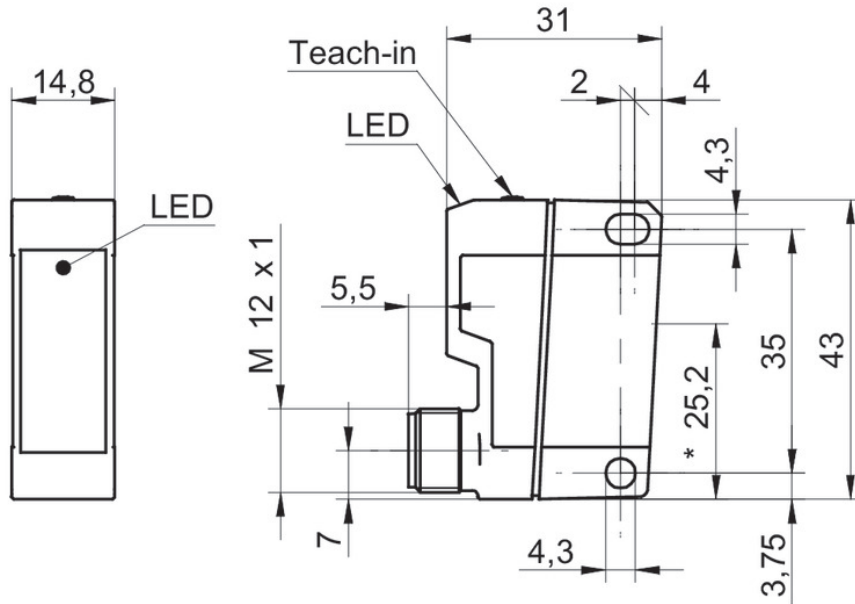
- Sn, Sb: The teach value will be lost after Power-off

OPDK 14P3902/S14

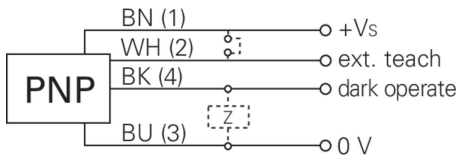
Retro-reflective sensors - for longer ranges

Article number: 11001310

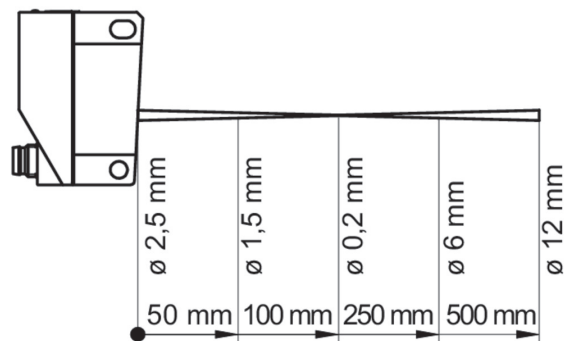
Technical drawings



Connection diagram



Beam characteristic (typically)



Laser warning

**CLASS 1 LASER
PRODUCT**

IEC 60825-1/2014
Complies with 21 CFR 1040.10 and
1040.11 except for conformance with
IEC 60825-1 Ed. 3., as described in
Laser Notice No. 56, dated May 8, 2019