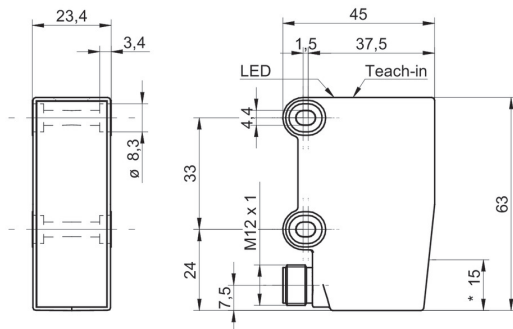


ONDK 25G6911/S14

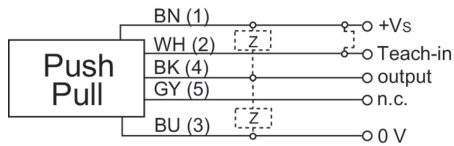
SmartReflect Lichtschranken - for longer ranges

Artikelnummer: 11079994

Masszeichnung



Anschlussbild



Laserwarnung

**CLASS 1 LASER
PRODUCT**

IEC 60825-1/2014

Complies with 21 CFR 1040.10 and 1040.11 except for conformance with IEC 60825-1 Ed. 3., as described in Laser Notice No. 56, dated May 8, 2019

Schaltpunkt

