

Overview

- Edge and width measurement of opaque objects with a precision of up to 7 µm
- Switching of measurement modes via teach-in line
- Reflector bracket for easy mounting



Technical data

General data

| | |
|--------------------------------|---|
| Type | Edge, width |
| Version | Performance |
| Measuring range Mr | 24 mm |
| Measuring distance (to object) | < 40 mm |
| Adjustment | External Teach-in |
| Power on indication | LED green |
| Output indicator | LED yellow |
| Repeat accuracy | 7 µm |
| Linearity error | ± 0.8 % Mr (S = 0 ... 40 mm) ± 0.4 % Mr (S = 15 ... 40 mm) |
| Smallest object recognizable | 1 mm |
| Temperature drift | 0,01 % Sde/K |

Light Source

| | |
|--------------|-----------------------|
| Light source | Pulsed infrared diode |
| Wave length | 850 nm |

Electrical data

| | |
|------------------------------------|---------------|
| Response delay | < 0.6 ms |
| Measuring frequency | > 2000 Hz |
| Voltage supply range +Vs | 12 ... 28 VDC |
| Current consumption max. (no load) | 100 mA |
| Output circuit | Analog |
| Output signal | 4 ... 20 mA |

Electrical data

| | |
|-----------------------------|------------------------|
| Load resistance | < (+Vs - 9 V) / 0.02 A |
| Output current | <100 mA |
| Short circuit protection | Yes |
| Reverse polarity protection | Yes |

Mechanical data

| | |
|------------------|-------------------------|
| Width / diameter | 38.9 mm |
| Height / length | 71.6 mm |
| Depth | 58.8 mm |
| Design | Rectangular, front view |
| Housing material | Aluminum |
| Field of view | Side view |
| Front (optics) | Glass |
| Connection types | Connector M8 4 pin |
| Weight | 70 g |

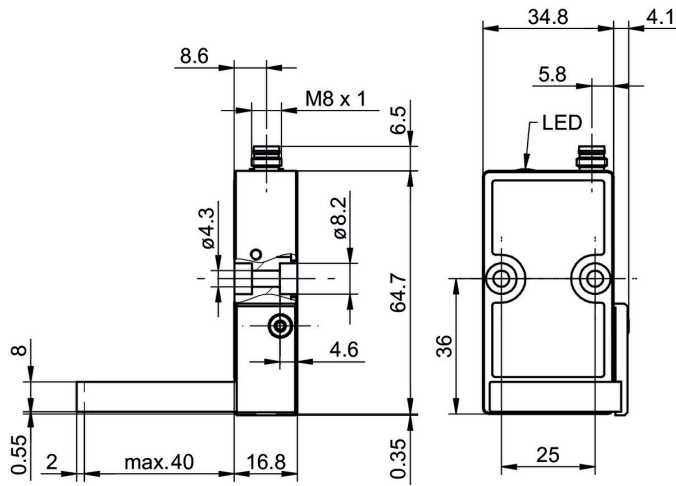
Ambient conditions

| | |
|-------------------------|---|
| Ambient light immunity | < 60 kLux |
| Protection class | IP 67 |
| Operating temperature | 0 ... +55 °C |
| Storage temperature | -20 ... +60 °C |
| Vibration (sinusoidal) | IEC 60068-2-6:2008 1 mm p-p at f = 10 - 55 Hz, duration 5 min per axis 30 min endurance at f = 55 Hz per axis |
| Shock (semi-sinusoidal) | IEC 60068-2-27:2009 30 g / 11 ms, 6 jolts per axis and direction |

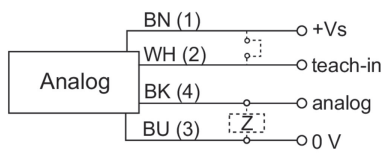
Remarks

- Measurement with Baumer standardized measuring equipment and targets (Measurement on 90% remission (white)).

Dimension drawing



Connection diagram



Pin assignment

