

**Overview**

- Edge and width measurement of opaque objects with a precision of up to 10 µm
- Switching of measurement modes via teach-in line
- Reflector foil for flexible mounting



**Technical data**

**General data**

Type	Edge, width
Version	Performance
Measuring range Mr	22 mm
Measuring distance (to object)	< 200 mm
Adjustment	External Teach-in
Power on indication	LED green
Output indicator	LED yellow
Repeat accuracy	10 µm
Linearity error	± 4.5 % Mr (S = 0 ... 200 mm) ± 3.5 % Mr (S = 50 ... 150 mm)
Smallest object recognizable	3 mm
Temperature drift	± 0.03 % Sde/K

**Light Source**

Light source	Pulsed infrared diode
Wave length	850 nm

**Electrical data**

Response delay	< 1 ms
Measuring frequency	> 1100 Hz
Voltage supply range +Vs	12 ... 28 VDC
Current consumption max. (no load)	100 mA
Output circuit	Analog
Output signal	4 ... 20 mA

**Electrical data**

Load resistance	< (+Vs - 9 V) / 0.02 A
Output current	<100 mA
Short circuit protection	Yes
Reverse polarity protection	Yes

**Mechanical data**

Width / diameter	34.8 mm
Height / length	71.2 mm
Depth	16.8 mm
Design	Rectangular, front view
Housing material	Aluminum
Field of view	Front view
Front (optics)	Glass
Connection types	Connector M8 4 pin
Weight	54 g

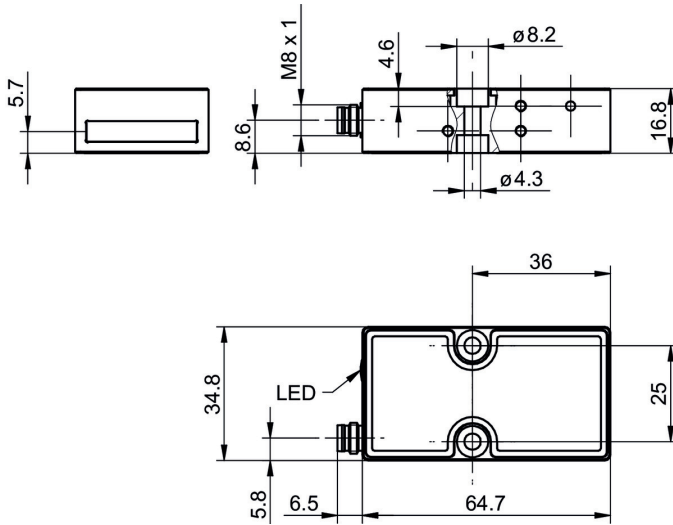
**Ambient conditions**

Ambient light immunity	< 60 kLux
Protection class	IP 67
Operating temperature	0 ... +55 °C
Storage temperature	-20 ... +60 °C
Vibration (sinusoidal)	IEC 60068-2-6:2008 1 mm p-p at f = 10 - 55 Hz, duration 5 min per axis 30 min endurance at f = 55 Hz per axis
Shock (semi-sinusoidal)	IEC 60068-2-27:2009 30 g / 11 ms, 6 jolts per axis and direction

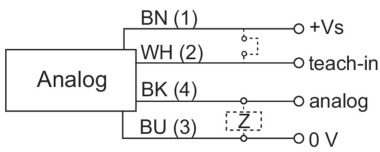
**Remarks**

- Measurement with Baumer standardized measuring equipment and targets (Measurement on 90% remission (white)).

**Dimension drawing**



**Connection diagram**



**Pin assignment**

