

Overview

- Most secure object detection due to the barrier principle
- Baumer PinPoint LED: Small, homogeneous light spot with sharp edges
- Quick mounting by means of M3 threaded bushes made of brass



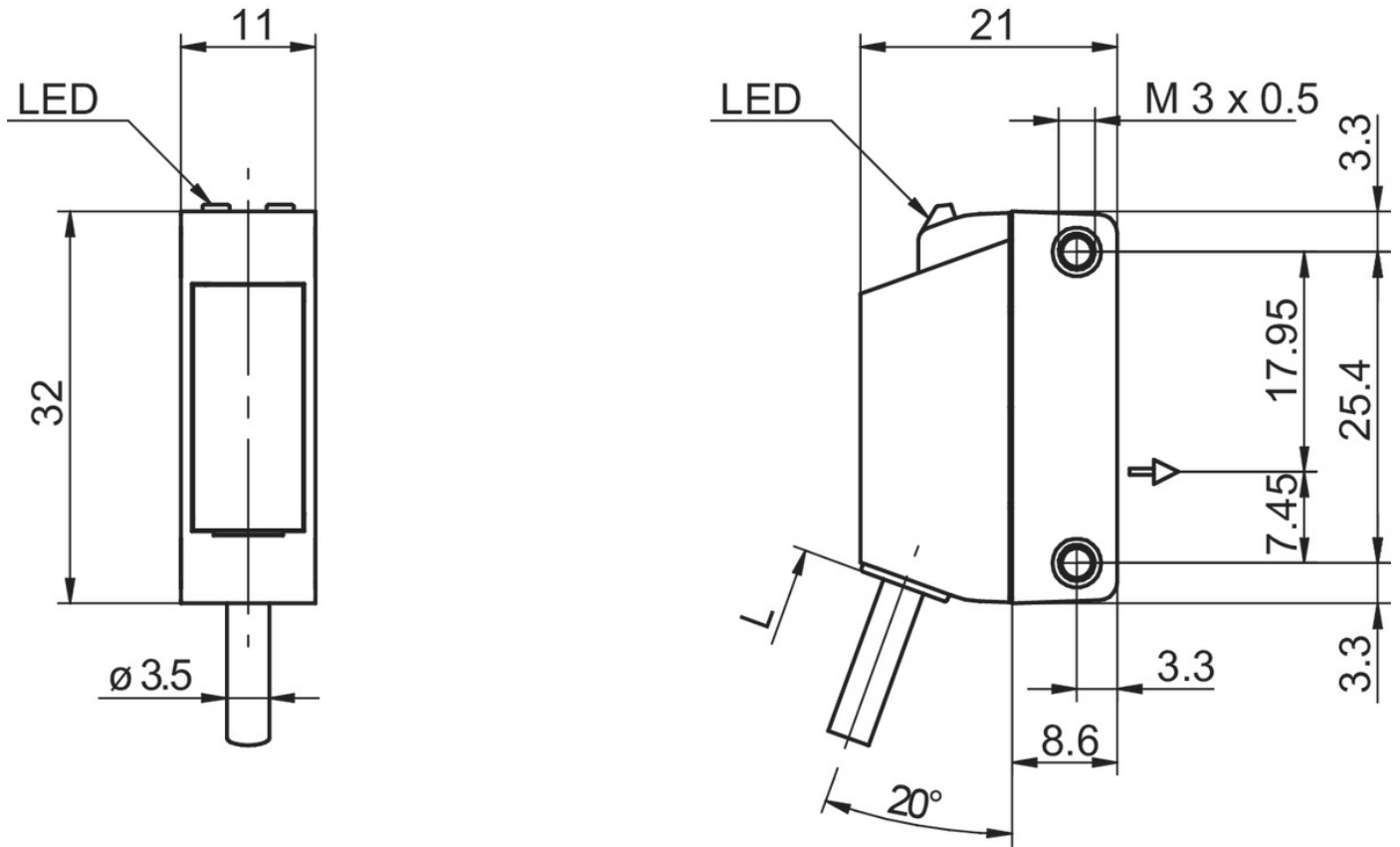
Picture similar



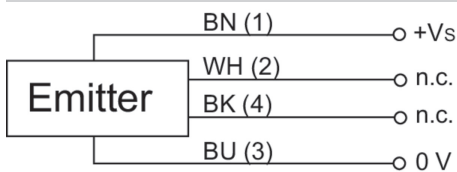
Technical data

General data		Mechanical data	
Type	Through beam sensor	Width / diameter	11 mm
Emitter / receiver	Emitter	Height / length	32 mm
Light source	Pulsed PinPoint LED	Depth	21 mm
Actual range Sb	10 m	Design	Rectangular
Nominal range Sn	12 m	Mechanical mounting	Threaded sleeves M3 (brass)
Power on indication	LED green	Housing material	Plastic (ABS, ASA, PMMA)
Wave length	634 nm	Front (optics)	PMMA
Alignment optical axis	< 1,5°	Connection types	Cable 4 pin, 2 m
Electrical data		Cable characteristics	PVC / PVC 4 x 0.14 mm ²
Voltage supply range +Vs	10 ... 30 VDC	Ambient conditions	
Current consumption max. (no load)	50 mA	Operating temperature	-25 ... +55 °C
Current consumption typ.	25 mA	Protection class	IP 67
Reverse polarity protection	Yes	Storage temperature	-40 ... +70 °C

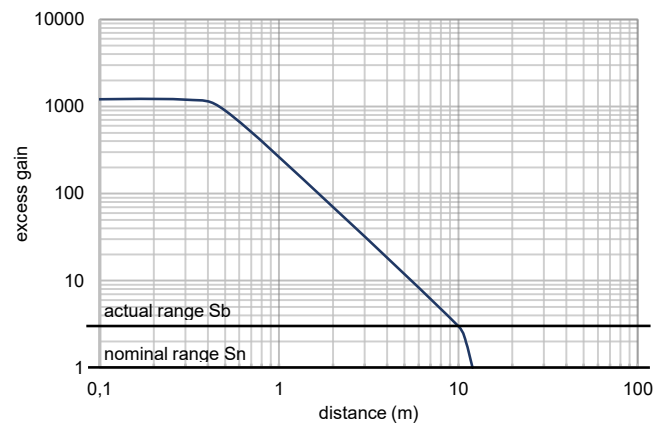
Technical drawings



Connection diagram



Excess gain curve



Beam characteristic (typically)

