

Overview

- Extended functional reserve capacities for maximum reliability
- Baumer PinPoint LED: Small, homogeneous light spot with sharp edges
- Fixed preset for the simplest commissioning
- Robust housing with brass spacer sleeves



Picture similar



Technical data

General data

Type	Retro-reflective sensor
Light source	Pulsed PinPoint LED
Actual range Sb	5 m
Nominal range Sn	6 m
Polarization filter	Yes
Alignment / soiled lens indicator	Flashing output indicator
Output indicator	LED yellow
Power on indication	LED green
Wave length	634 nm
Suppression of reciprocal influence	Yes
Alignment optical axis	< 1,5°

Electrical data

Response time / release time	< 0.5 ms
Voltage supply range +Vs	10 ... 30 VDC
Current consumption max. (no load)	50 mA
Current consumption typ.	25 mA

Electrical data

Voltage drop Vd	<2 VDC
Output function	Dark operate
Output circuit	Push-pull
Output current	100 mA
Short circuit protection	Yes
Reverse polarity protection	Yes

Mechanical data

Width / diameter	11 mm
Height / length	32 mm
Depth	21 mm
Design	Rectangular
Mechanical mounting	Sleeve smooth (brass)
Housing material	Plastic (ABS, ASA, PMMA)
Front (optics)	PMMA
Connection types	Cable 4 pin, 2 m
Cable characteristics	PVC / PVC 4 x 0.14 mm ²

Ambient conditions

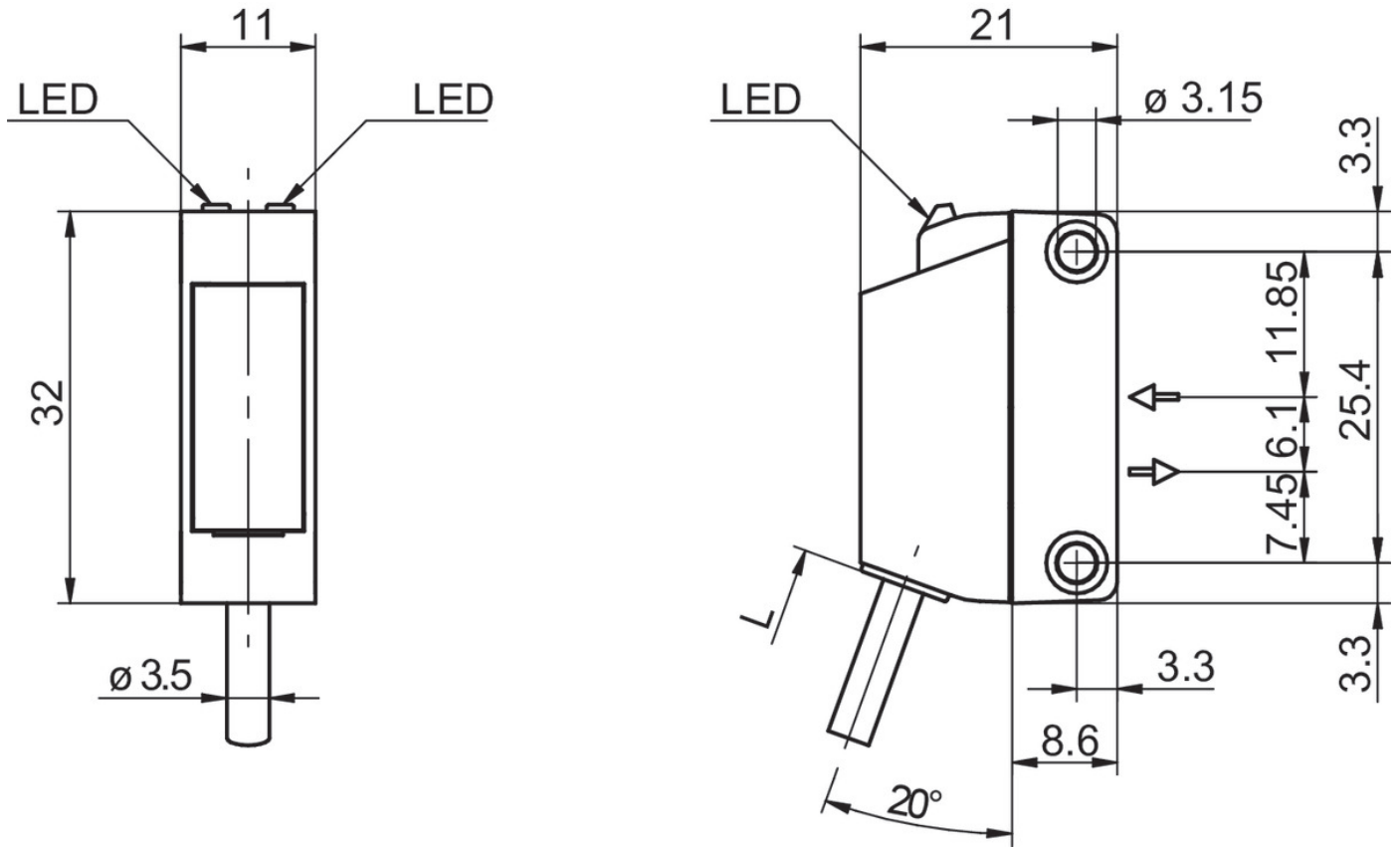
Operating temperature	-25 ... +55 °C
Protection class	IP 67
Storage temperature	-40 ... +70 °C

O330.RP-GDZZZ.72ZV

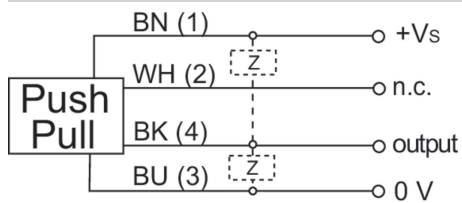
Retro-reflective sensors - miniature

Article number: 11261234

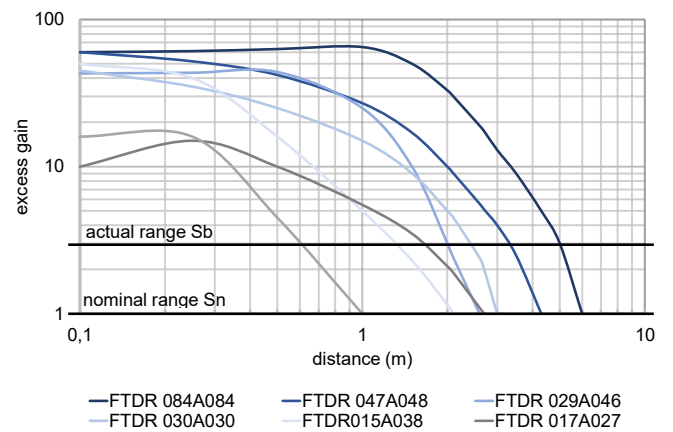
Technical drawings



Connection diagram



Excess gain curve



Beam characteristic (typically)

