

**Overview**

- emitter
- through beam sensor
- 10 m
- pulsed red LED
- connector M8 4 pin
- -25 ... 60 °C
- IP 68/69K & proTect+



Picture similar



**Technical data**

**General data**

Type	Through beam sensor
Special type	Washdown design
Emitter / receiver	Emitter
Light source	Pulsed red LED
Actual range Sb	10 m
Nominal range Sn	15 m
Power on indication	LED green
Wave length	645 nm
Alignment optical axis	< 2°
Approvals/certificates	Ecolab

**Electrical data**

Voltage supply range +Vs	10 ... 30 VDC
Current consumption max. (no load)	40 mA

**Electrical data**

Current consumption typ.	30 mA
Reverse polarity protection	Yes

**Mechanical data**

Width / diameter	16.5 mm
Height / length	34.7 mm
Depth	28.2 mm
Type	Rectangular
Housing material	Stainless steel 1.4404 (V4A)
Front (optics)	PMMA
Connection types	Connector M8 4 pin

**Ambient conditions**

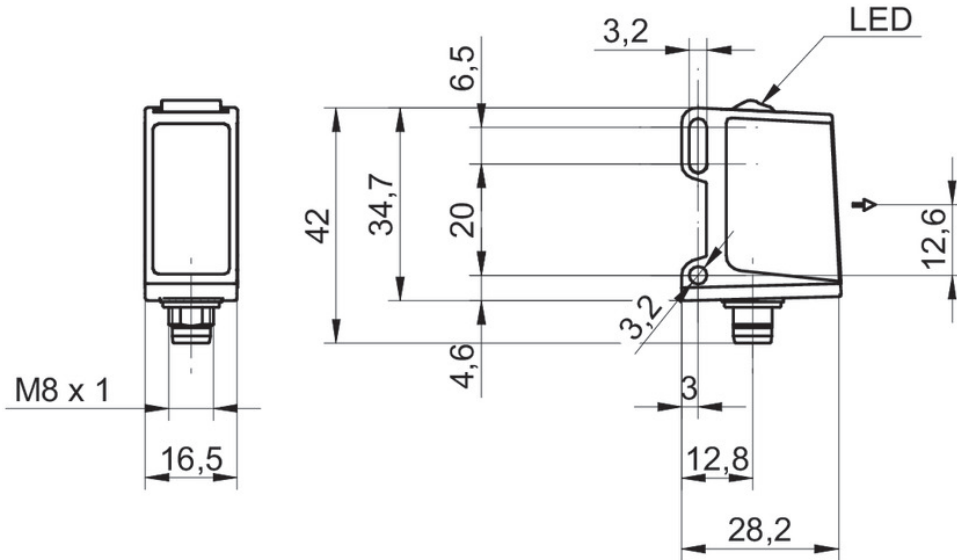
Operating temperature	-25 ... +60 °C
Protection class	IP 68/69K & proTect+

# O300W.TR-ZZZZ.PVN

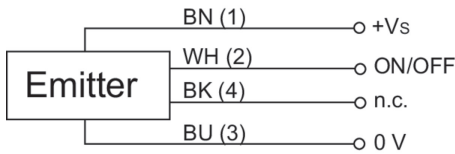
Through beam sensors - washdown

Article number: 11167300

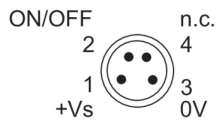
## Technical drawings



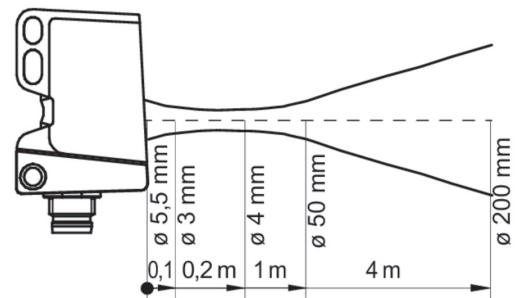
## Connection diagram



## Pin assignment



## Beam characteristic (typically)



## Excess gain curve

