

Overview

- emitter
- through beam sensor
- 40 m
- pulsed red laser diode
- connector M8 4 pin
- -10 ... 60 °C
- IP 68/69K & proTect+



Picture similar

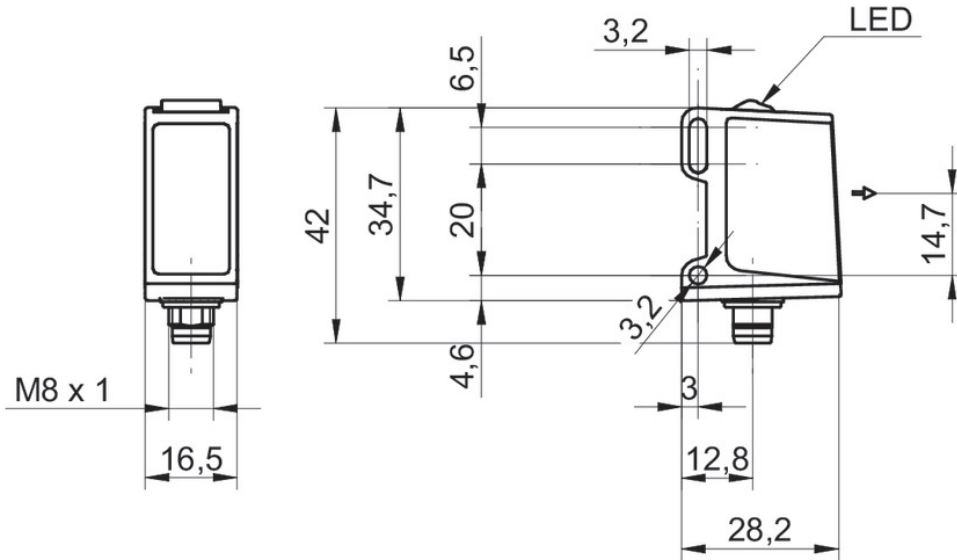


Technical data

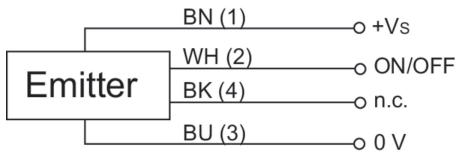
General data		Electrical data	
Type	Through beam sensor	Current consumption max. (no load)	30 mA
Special type	Washdown design	Current consumption typ.	25 mA
Emitter / receiver	Emitter	Reverse polarity protection	Yes
Light source	Pulsed red laser diode	Mechanical data	
Actual range Sb	40 m	Width / diameter	16.5 mm
Nominal range Sn	75 m	Height / length	34.7 mm
Power on indication	LED green	Depth	28.2 mm
Laser class	1	Type	Rectangular
Distance to focus	Parallel beam	Housing material	Stainless steel 1.4404 (V4A)
Wave length	656 nm	Front (optics)	PMMA
Alignment optical axis	< 2°	Connection types	Connector M8 4 pin
Approvals/certificates	Ecolab	Ambient conditions	
Electrical data		Operating temperature	-10 ... +60 °C
Voltage supply range +Vs	11 ... 30 VDC	Protection class	IP 68/69K & proTect+

The product features and technical data specified do not express or imply any warranty. Technical modifications subject to change.

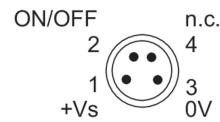
Technical drawings



Connection diagram



Pin assignment

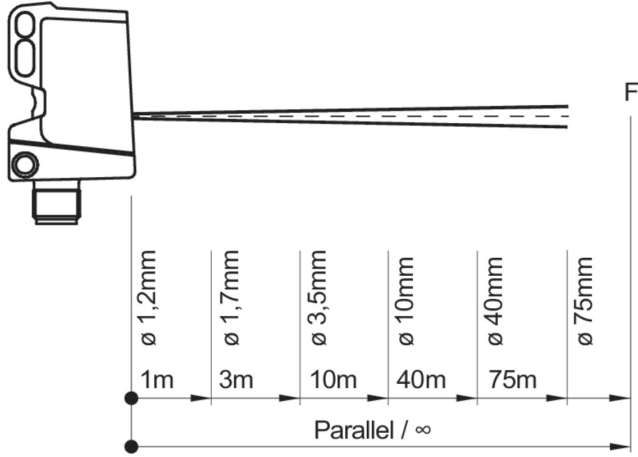


Laser warning

**CLASS 1 LASER
PRODUCT**

IEC 60825-1/2014
Complies with 21 CFR 1040.10 and
1040.11 except for conformance with
IEC 60825-1 Ed. 3., as described in
Laser Notice No. 56, dated May 8, 2019

Beam characteristic (typically)



Excess gain curve

