

**Overview**

- receiver
- through beam sensor
- 10 m
- push-pull
- qTeach / remote
- connector M8 4 pin
- -25 ... 60 °C
- IP 68/69K & proTect+



Picture similar



**Technical data**

**General data**

Type	Through beam sensor
Special type	Washdown design
Emitter / receiver	Receiver
Actual range Sb	10 m
Nominal range Sn	15 m
Alignment / soiled lens indicator	Flashing light indicator
Light indicator	LED yellow
Power on indication	LED green
Sensitivity adjustment	qTeach / remote
Alignment optical axis	< 2°
Approvals/certificates	Ecolab

**Electrical data**

Response time / release time	< 0.49 ms
Voltage supply range +Vs	10 ... 30 VDC
Current consumption max. (no load)	40 mA

**Electrical data**

Current consumption typ.	30 mA
Voltage drop Vd	< 3 VDC
Output function	Light / dark operate
Output circuit	Push-pull
Output current	< 100 mA
Short circuit protection	Yes
Reverse polarity protection	Yes

**Mechanical data**

Width / diameter	16.5 mm
Height / length	34.7 mm
Depth	28.2 mm
Type	Rectangular
Housing material	Stainless steel 1.4404 (V4A)
Front (optics)	PMMA
Connection types	Connector M8 4 pin

**Ambient conditions**

Operating temperature	-25 ... +60 °C
Protection class	IP 68/69K & proTect+

**Remarks**

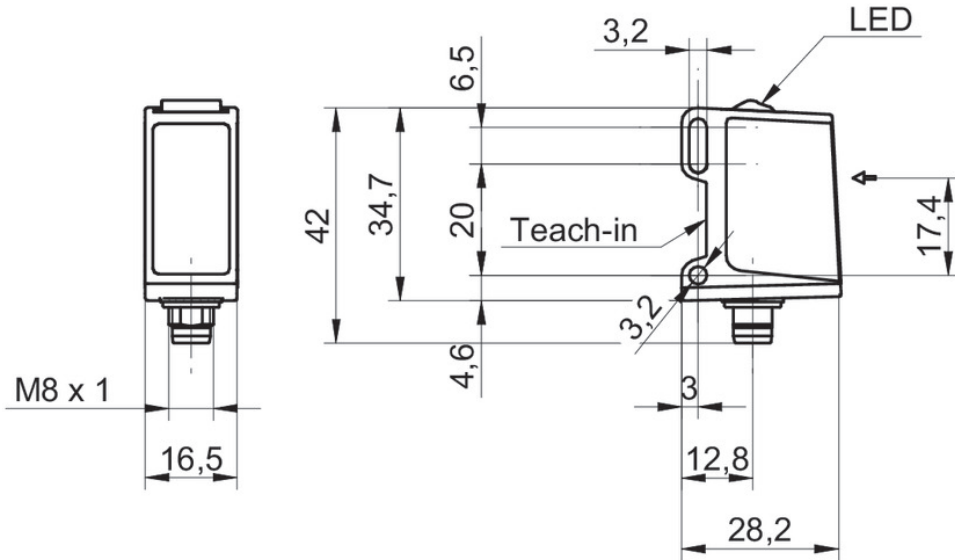
- qTeach

# O300W.ER-GW1B.PVN

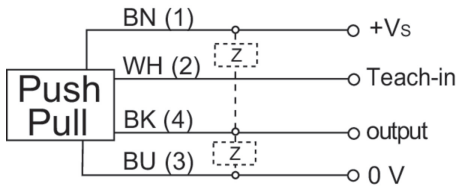
Through beam sensors - washdown

Article number: 11167301

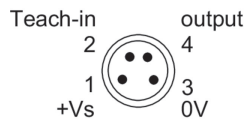
## Technical drawings



## Connection diagram



## Pin assignment



## Excess gain curve

