

**overview**

- light barrier
- 30 ... 300 mm
- pulsed PinPoint LED
- push-pull
- Teach-in and IO-Link
- cable 4 pin, 2 m
- -25 ... 60 °C
- IP 68/69K & proTect+



**technical data**

**general data**

type	light barrier
special type	hygienic design
version	transparency object detection
light source	pulsed PinPoint LED
background position Sde	30 ... 300 mm
scanning range Sa	100% ... 85% Sde
minimal signal attenuation	10 % / 20 % / 30 %
power on indication	LED green
light indicator	LED yellow
sensing distance adjustment	Teach-in and IO-Link
wave length	630 nm
suppression of reciprocal influence	yes
alignment optical axis	< 2°
approvals/certificates	Ecolab

**electrical data**

response time / release time	0,25 ... 0,6 ms
voltage supply range +Vs	10 ... 30 VDC
current consumption max. (no load)	45 mA

**electrical data**

current consumption typ.	30 mA
voltage drop Vd	< 3 VDC
output function	light / dark operate
output circuit	push-pull
output current	< 100 mA
short circuit protection	yes
reverse polarity protection	yes

**mechanical data**

width / diameter	16,5 mm
height / length	34,6 mm
depth	28,7 mm
type	rectangular
housing material	stainless steel 1.4404 (V4A)
front (optics)	PMMA
connection types	cable 4 pin, 2 m

**ambient conditions**

operating temperature	-25 ... +60 °C
protection class	IP 68/69K & proTect+

**remarks**

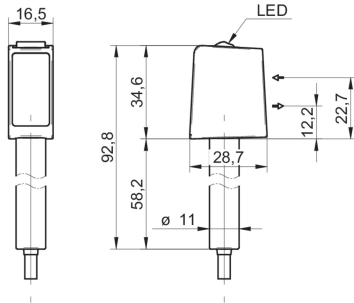
- magnetic Teach
- IO-Link: V1.1, filter functions, qTeach lock adjustable
- signal attenuation adjustable
- response time / release time: depending on the signal strength

# O300H.SP.T-GW1J.PVCV

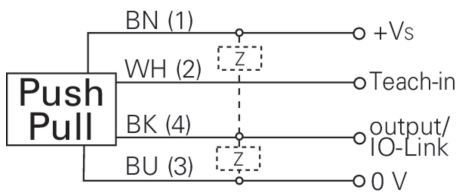
SmartReflect Light barriers - hygiene

Article number: 11136925

## dimension drawing



## connection diagram



## beam characteristic (typically)

