

O300H.SL-GW1J.PVCK

SmartReflect Light barriers - hygiene

Article number: 11179007

Overview

- light barrier
- 30 ... 250 mm
- pulsed red laser diode
- push-pull
- Teach-in and IO-Link
- cable 4 pin, 2 m
- -10 ... 60 °C
- IP 68/69K & proTect+



Picture similar



Technical data

General data

Type	Light barrier
Special type	Hygienic design
Version	Standard object detection
Background position Sde	30 ... 250 mm
Scanning range Sa	90% ... 85% Sde
Repeat accuracy	< 0.1 mm at 100 mm
Power on indication	LED green
Light indicator	LED yellow
Sensing distance adjustment	Teach-in and IO-Link
Distance to focus	400 mm
Suppression of reciprocal influence	Yes
Alignment optical axis	< 2°
Approvals/certificates	Ecolab Adapted from EHEDG

Light Source

Light source	Pulsed red laser diode
Laser class	1
Wave length	656 nm

Electrical data

Response time / release time	< 0.25 ms
------------------------------	-----------

Electrical data

Voltage supply range +Vs	11 ... 30 VDC
Current consumption max. (no load)	30 mA
Current consumption typ.	25 mA
Voltage drop Vd	<2.5 VDC
Output function	Light / dark operate
Output circuit	Push-pull
Output current	100 mA
Short circuit protection	Yes
Reverse polarity protection	Yes

Mechanical data

Width / diameter	16.5 mm
Height / length	34.6 mm
Depth	28.7 mm
Design	Rectangular
Housing material	Stainless steel 1.4404 (V4A)
Front (optics)	PMMA
Connection types	Cable 4 pin, 2 m

Ambient conditions

Protection class	IP 68/69K & proTect+
Operating temperature	-10 ... +60 °C

O300H.SL-GW1J.PVCK

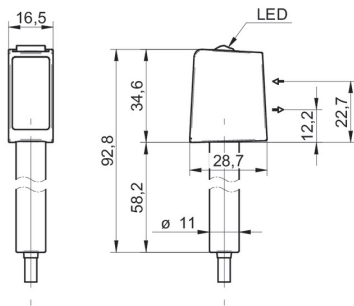
SmartReflect Light barriers - hygiene

Article number: 11179007

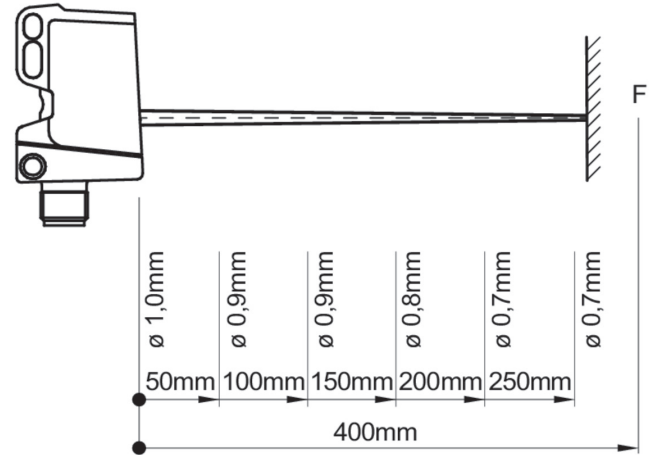
Remarks

- Magnetic Teach
- IO-Link: V1.1, filter functions, qTeach lock adjustable

Dimension drawing



Beam characteristic (typically)



Laser warning

**CLASS 1 LASER
PRODUCT**

IEC 60825-1/2014

Complies with 21 CFR 1040.10 and 1040.11 except for conformance with IEC 60825-1 Ed. 3., as described in Laser Notice No. 56, dated May 8, 2019

Connection diagram

