

**Overview**

- retro-reflective sensor
- 3,5 m
- pulsed PinPoint LED
- push-pull
- Teach-in and IO-Link
- cable 4 pin, 2 m
- -25 ... 60 °C
- IP 68/69K & proTect+



Picture similar



**Technical data**

**General data**

Type	Retro-reflective sensor
Special type	Hygienic design
Version	Transparency object detection
Light source	Pulsed PinPoint LED
Actual range Sb	3,5 m
Nominal range Sn	4 m
Polarization filter	Yes
Minimal signal attenuation	10 % / 20 % / 30 %
Light indicator	LED yellow
Power on indication	LED green
Sensitivity adjustment	Teach-in and IO-Link
Wave length	630 nm
Suppression of reciprocal influence	Yes
Alignment optical axis	< 2°
Approvals/certificates	Ecolab Adapted from EHEDG

**Electrical data**

Response time / release time	< 0,25 ms
Voltage supply range +Vs	10 ... 30 VDC

**Electrical data**

Current consumption max. (no load)	35 mA
Current consumption typ.	30 mA
Voltage drop Vd	< 3 VDC
Output function	Light / dark operate
Output circuit	Push-pull
Output current	< 100 mA
Short circuit protection	Yes
Reverse polarity protection	Yes

**Mechanical data**

Width / diameter	16,5 mm
Height / length	34,6 mm
Depth	28,7 mm
Type	Rectangular
Housing material	Stainless steel 1.4404 (V4A)
Front (optics)	PMMA
Connection types	Cable 4 pin, 2 m

**Ambient conditions**

Operating temperature	-25 ... +60 °C
Protection class	IP 68/69K & proTect+

# O300H.RP.T-GW1J.PVCV

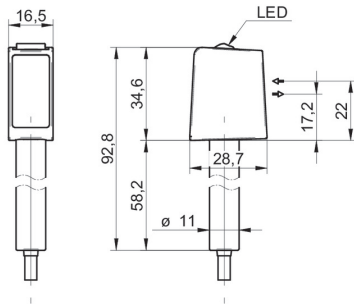
Retro-reflective sensors - hygiene

Article number: 11157335

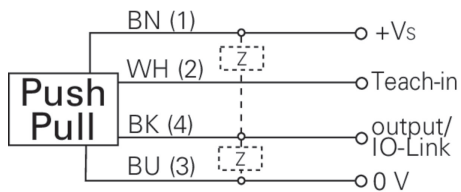
### Remarks

- Magnetic Teach
- IO-Link: V1.1, filter functions, qTeach lock adjustable
- Signal attenuation adjustable

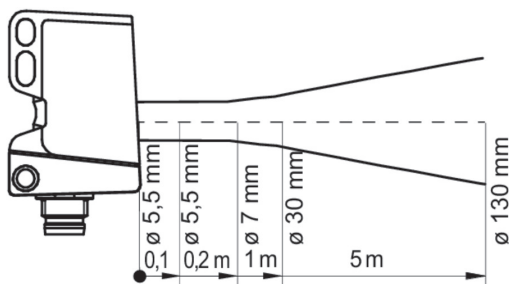
### Dimension drawing



### Connection diagram



### Beam characteristic (typically)



### Excess gain curve

