

## O300H.GL-GW1J.PVCV

Diffuse sensors with background suppression - hygiene

Article number: 11171768

### Overview

- background suppression
- 30 ... 250 mm
- pulsed red laser diode
- push-pull
- Teach-in and IO-Link
- cable 4 pin, 2 m
- -10 ... 60 °C
- IP 68/69K & proTect+



Picture similar



### Technical data

#### General data

Type	Background suppression
Special type	Hygienic design
Light source	Pulsed red laser diode
Sensing distance Tw	30 ... 250 mm
Sensing range Tb	15 ... 250 mm
Repeat accuracy	< 0,1 mm at laser focus
Power on indication	LED green
Light indicator	LED yellow
Sensing distance adjustment	Teach-in and IO-Link
Laser class	1
Distance to focus	80 mm
Wave length	656 nm
Suppression of reciprocal influence	Yes
Alignment optical axis	< 2°
Approvals/certificates	Ecolab Adapted from EHEDG

#### Electrical data

Response time / release time	< 0,25 ms
------------------------------	-----------

#### Electrical data

Voltage supply range +Vs	11 ... 30 VDC
Current consumption max. (no load)	30 mA
Current consumption typ.	25 mA
Voltage drop Vd	< 2,5 VDC
Output function	Light / dark operate
Output circuit	Push-pull
Output current	< 100 mA
Short circuit protection	Yes
Reverse polarity protection	Yes

#### Mechanical data

Width / diameter	16,5 mm
Height / length	34,6 mm
Depth	28,7 mm
Type	Rectangular
Housing material	Stainless steel 1.4404 (V4A)
Front (optics)	PMMA
Connection types	Cable 4 pin, 2 m

#### Ambient conditions

Protection class	IP 68/69K & proTect+
Operating temperature	-10 ... +60 °C

# O300H.GL-GW1J.PVCV

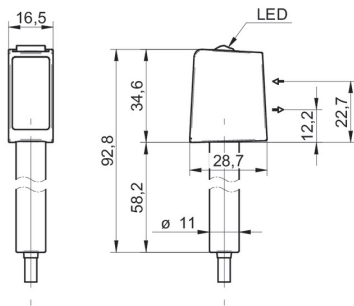
Diffuse sensors with background suppression - hygiene

Article number: 11171768

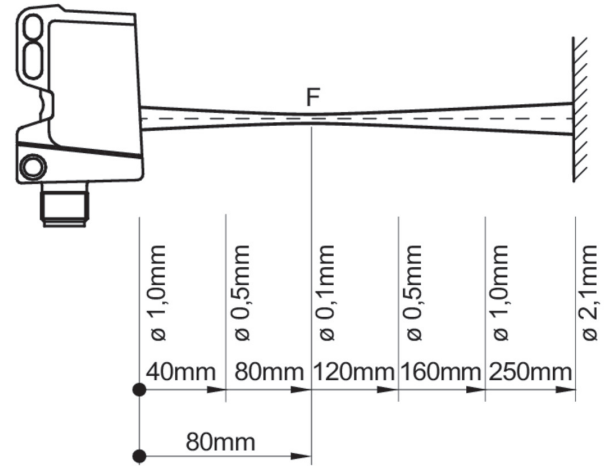
## Remarks

- Magnetic Teach
- IO-Link: V1.1, filter functions, qTeach lock adjustable

## Dimension drawing



## Beam characteristic (typically)

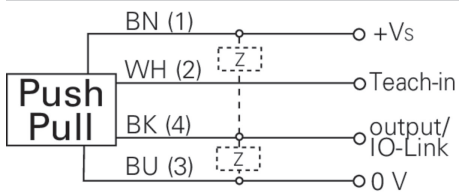


## Laser warning

**CLASS 1 LASER  
PRODUCT**

IEC 60825-1/2014  
Complies with 21 CFR 1040.10 and 1040.11 except for conformance with IEC 60825-1 Ed. 3., as described in Laser Notice No. 56, dated May 8, 2019

## Connection diagram



## Sensing distance diagram

