

Overview

- distance measuring
- 30 ... 300 mm
- pulsed PinPoint LED
- push-pull
- Teach-in and IO-Link
- -25 ... 60 °C
- IP 68/69K & proTect+



Picture similar



Technical data

General data

Type	Distance measuring
Version	IO-Link measuring
Measuring distance Sd	30 ... 300 mm
Adjustment	Teach-in and IO-Link
Power on indication	LED green
Light indicator	LED yellow
Resolution	0.5 ... 5 mm
Linearity error	± 1.5 ... 15 mm
Beam type	Point
Suppression of reciprocal influence	Yes
Alignment optical axis	< 2°
Temperature drift	< 0,2 % Sde/K
Approvals/certificates	Ecolab Adapted from EHEDG

Light Source

Light source	Pulsed PinPoint LED
Wave length	630 nm

Electrical data

Response time / release time	< 0.49 ms
Voltage supply range +Vs	10 ... 30 VDC
Current consumption max. (no load)	45 mA
Voltage drop Vd	<3 VDC

Electrical data

Output circuit	Push-pull
Output current	100 mA
Short circuit protection	Yes
Reverse polarity protection	Yes

Communication interface

Interface	IO-Link V1.1
Baud rate	38.4 kBaud (COM 2)
Cycle time	≥ 2.7 ms
Process data length	3 Byte
Process data structure	Bit 0 = BDC1 Bit 2 = quality Bit 3 = alarm Bit 8-23 = 16 Bit measurement

Mechanical data

Width / diameter	16.5 mm
Height / length	34.6 mm
Depth	28.7 mm
Design	Rectangular
Housing material	Stainless steel 1.4404 (V4A)
Front (optics)	PMMA
Connection types	Flylead connector M8 4 pin, L=200 mm

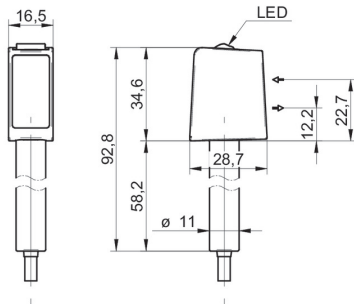
Ambient conditions

Protection class	IP 68/69K & proTect+
Operating temperature	-25 ... +60 °C

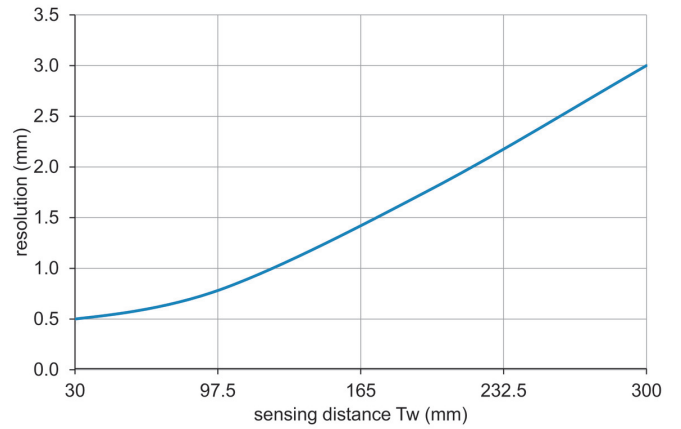
Remarks

- Magnetic Teach

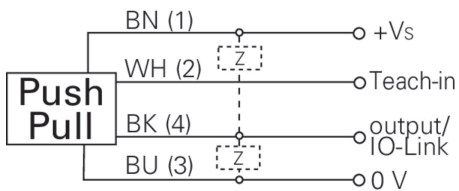
Dimension drawing



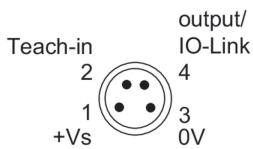
Resolution



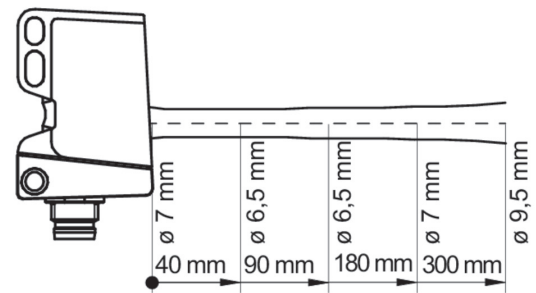
Connection diagram



Pin assignment



Beam characteristic (typically)



Accessories

Mounting accessories

11104963	Sensofix O300/U300
11102423	Mounting bracket O300/U300 (L design)
11124807	Mounting bracket O300 - Retrofit for sensors series 20
11707685	Mounting rod with mounting plate holder 200 mm
11707686	Mounting rod with mounting plate holder 300 mm
11707688	Mounting rod 200 mm
11707697	Mounting rod 250 mm
11707698	Mounting rod with mounting plate holder 250 mm
11707687	Mounting rod 300 mm
11707701	Mounting plate series 300 and \varnothing 12 mm
11707702	Mounting base
11707703	Two-way connector