

Overview

- distance measuring
- 30 ... 300 mm
- pulsed PinPoint LED
- push-pull
- Teach-in and IO-Link
- -25 ... 60 °C
- IP 68/69K & proTect+



Picture similar



Technical data

General data

| | |
|-------------------------------------|------------------------------|
| Type | Distance measuring |
| Version | IO-Link measuring |
| Measuring distance Sd | 30 ... 300 mm |
| Adjustment | Teach-in and IO-Link |
| Power on indication | LED green |
| Light indicator | LED yellow |
| Resolution | 0.5 ... 5 mm |
| Linearity error | ± 1.5 ... 15 mm |
| Beam type | Point |
| Suppression of reciprocal influence | Yes |
| Alignment optical axis | < 2° |
| Temperature drift | < 0,2 % Sde/K |
| Approvals/certificates | Ecolab Adapted from EHEDG |

Light Source

| | |
|--------------|---------------------|
| Light source | Pulsed PinPoint LED |
| Wave length | 630 nm |

Electrical data

| | |
|------------------------------------|---------------|
| Response time / release time | < 0.49 ms |
| Voltage supply range +Vs | 10 ... 30 VDC |
| Current consumption max. (no load) | 45 mA |
| Voltage drop Vd | <3 VDC |

Electrical data

| | |
|-----------------------------|-----------|
| Output circuit | Push-pull |
| Output current | 100 mA |
| Short circuit protection | Yes |
| Reverse polarity protection | Yes |

Communication interface

| | |
|------------------------|---|
| Interface | IO-Link V1.1 |
| Baud rate | 38.4 kBaud (COM 2) |
| Cycle time | ≥ 2.7 ms |
| Process data length | 3 Byte |
| Process data structure | Bit 0 = BDC1 Bit 2 = quality Bit 3 = alarm Bit 8-23 = 16 Bit measurement |

Mechanical data

| | |
|------------------|------------------------------|
| Width / diameter | 16.5 mm |
| Height / length | 34.6 mm |
| Depth | 28.7 mm |
| Design | Rectangular |
| Housing material | Stainless steel 1.4404 (V4A) |
| Front (optics) | PMMA |
| Connection types | Cable 4 pin, 2 m |

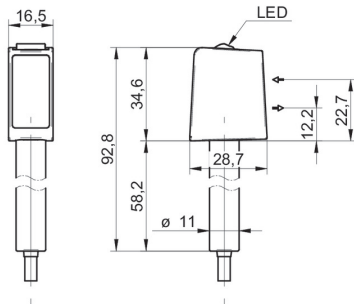
Ambient conditions

| | |
|-----------------------|----------------------|
| Protection class | IP 68/69K & proTect+ |
| Operating temperature | -25 ... +60 °C |

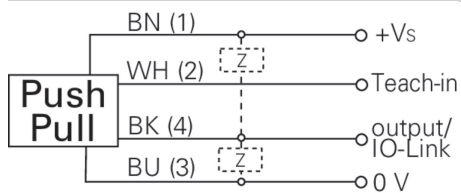
Remarks

- Magnetic Teach

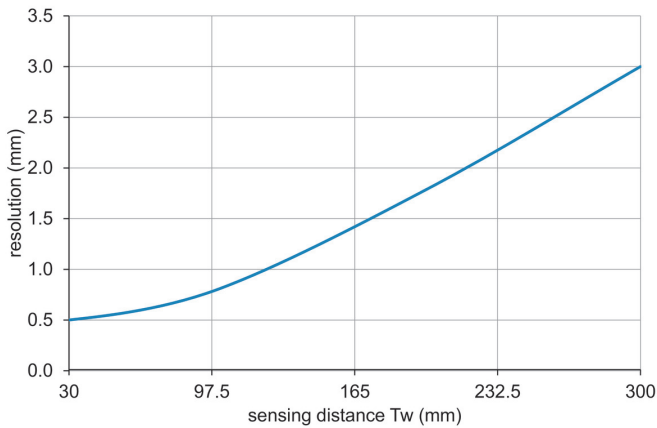
Dimension drawing



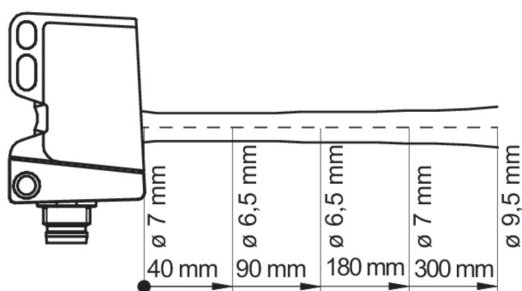
Connection diagram



Resolution



Beam characteristic (typically)



Accessories**Mounting accessories**

| | |
|----------|--|
| 11104963 | Sensofix O300/U300 |
| 11102423 | Mounting bracket O300/U300 (L design) |
| 11124807 | Mounting bracket O300 - Retrofit for sensors series 20 |
| 11707685 | Mounting rod with mounting plate holder 200 mm |
| 11707686 | Mounting rod with mounting plate holder 300 mm |
| 11707688 | Mounting rod 200 mm |
| 11707697 | Mounting rod 250 mm |
| 11707698 | Mounting rod with mounting plate holder 250 mm |
| 11707687 | Mounting rod 300 mm |
| 11707701 | Mounting plate series 300 and \varnothing 12 mm |
| 11707702 | Mounting base |
| 11707703 | Two-way connector |