

Overview

- Extended functional reserve capacities for maximum reliability
- Baumer PinPoint LED: Small, homogeneous light spot with sharp edges
- IO-Link interface independent of the switching output (Dual Channel)
- Extended parameterization options and additional diagnostic data
- Quick mounting by means of M3 threaded bushes made of stainless steel



Picture similar



Technical data

General data		Electrical data	
Type	Retro-reflective sensor	Reverse polarity protection	Yes
Version	IO-Link dual channel	Communication interface	
Light source	Pulsed PinPoint LED	Baud rate	38,4 kBaud (COM 2)
Actual range Sb	3 m	Adjustable parameters	Switching point Time filters LED status indicators Output logic Output circuit Counter Deactivate the sensor element Find Me function Teach-in mode
Nominal range Sn	4 m	IO-Link port type	Class A
Smallest object recognizable typ.	4 mm (FTAR 013A000)	Process data length	32 Bit
Polarization filter	Yes	Process data structure	Bit 0 = SSC1 (presence) Bit 2 = quality Bit 3 = alarm Bit 5 = SSC4 (counter) Bit 16-31 = 16 Bit measurement
Alignment / soiled lens indicator	Flashing output indicator	Interface	IO-Link V1.1
Output indicator	LED yellow	Additional data	Signal strength Excess gain Operating cycles Device temperature
Power on indication	LED green	Cycle time	≥ 2.7 ms
Sensitivity adjustment	IO-Link	Mechanical data	
Wave length	644 nm	Width / diameter	8 mm
Suppression of reciprocal influence	Yes	Height / length	25.1 mm
Alignment optical axis	< 1,5°	Depth	15.8 mm
Electrical data		Design	Rectangular
Response time / release time	< 0.4 ms	Mechanical mounting	Threaded sleeves M3 (stainless steel)
Jitter	< 0.21 ms	Housing material	Plastic (ASA, PMMA)
Voltage supply range +Vs	10 ... 30 VDC		
Current consumption max. (no load)	45 mA (@ 10 VDC)		
Current consumption typ.	16 mA (@ 24 VDC)		
Voltage drop Vd	<2 VDC		
Output function	Light / dark operate		
Output circuit	Push-pull		
Output current	50 mA		
Short circuit protection	Yes		

The product features and technical data specified do not express or imply any warranty. Technical modifications subject to change. 2024-02-16

Technical data

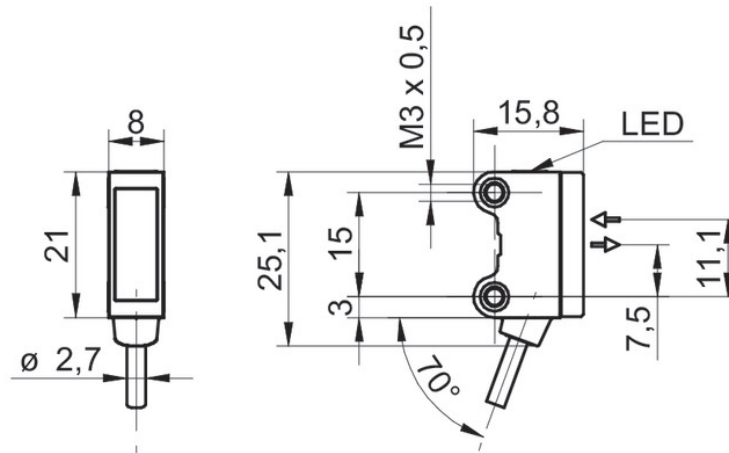
Mechanical data

Front (optics)	PMMA
Connection types	Cable 4 pin, 2 m
Cable characteristics	PVC / PVC 4 x 0.08 mm ²

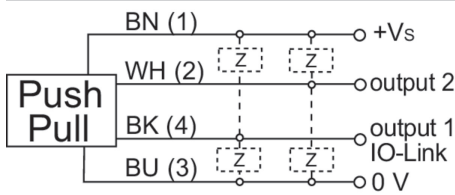
Ambient conditions

Operating temperature	-25 ... +50 °C
Protection class	IP 67

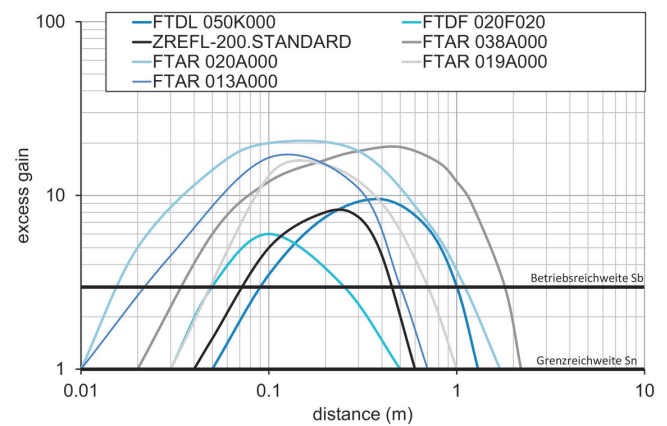
Technical drawings



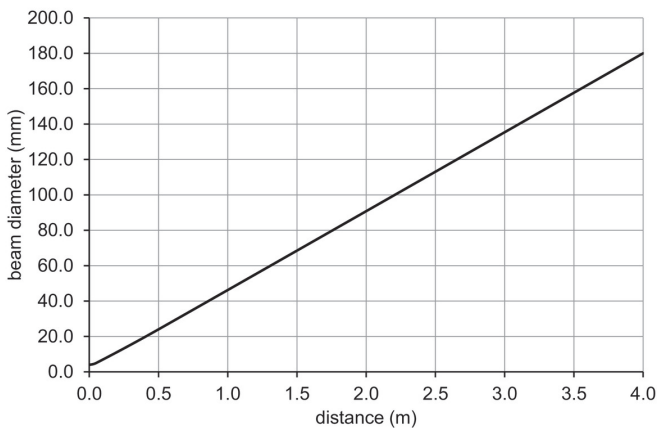
Connection diagram



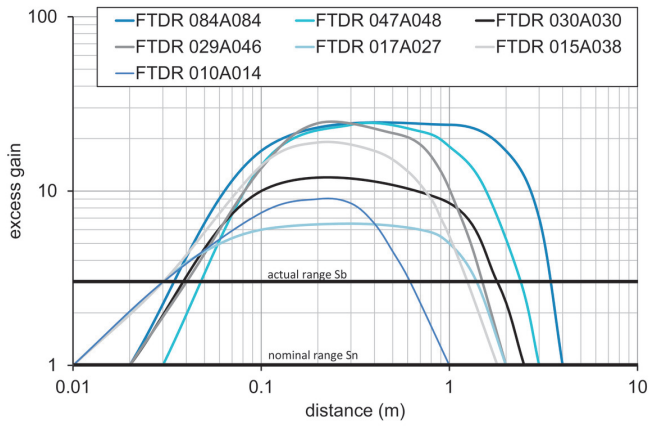
Excess gain curve



Beam characteristic (typically)



Excess gain curve



Lateral operating range

