

Overview

- Cable PUR, 2 m
- Operating temperature -40 ... 85 °C



Picture similar

Technical data

General data

Sensor type	Hall sensors
Working distance max.	<0.7 mm (module 1), <2.4 mm (module 3)
Min. gear size	> module 1
Gear width	> 6 mm
Gear material	Ferromagnetic
Approvals/certificates	CE UL

Electrical data

Switching frequency range	0 ... 15 kHz
Voltage supply range +Vs	8 ... 28 VDC
Current consumption max. (no load)	20 mA
Output A	Push-pull
Output B	None
Output current	30 mA

Electrical data

Voltage drop Vd	<5 VDC (I = 15 mA)
Short circuit protection	Yes
Reverse polarity protection	Yes, Vs to GND

Mechanical data

Design	Cylindrical threaded
Housing material	Brass nickel plated
Dimension	12 mm
Housing length	50 mm
Connection types	Cable PUR, 2 m
Material (sensing face)	PBTP

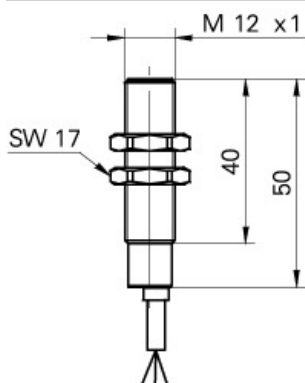
Ambient conditions

Operating temperature	-40 ... +85 °C
Protection class (sensing face)	IP 67
Protection class (sensor)	IP 67

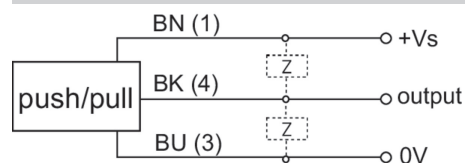
Remarks

- Mounting rotationally symmetric

Dimension drawing



Connection diagram



Accessories**Mounting accessories**

10151720	Sensofix series 12 round
11707685	Mounting rod with mounting plate holder 200 mm
11707686	Mounting rod with mounting plate holder 300 mm
11707688	Mounting rod 200 mm
11707697	Mounting rod 250 mm
11707698	Mounting rod with mounting plate holder 250 mm
11707687	Mounting rod 300 mm
11707701	Mounting plate series 300 and \varnothing 12 mm
11707702	Mounting base
11707703	Two-way connector