

IWRR 18I97T4/S14

Inductive distance sensors - outdoor and washdown

Article number: 11016445

Overview

- 0 ... 7 mm
- current output
- connector M12
- -40 ... 70 °C
- IP 68/69K & proTect+



Picture similar



Technical data

General data

Mounting type	Quasi-flush
Special type	Outdoor design Washdown design
Measuring distance Sd	0 ... 7 mm
Resolution	< 0.005 mm (stat.) < 0.01 mm (dynam.)
Repeat accuracy	0.015 mm
Linearity error	± 350 µm
Temperature drift	± 10 % (Full Scale)
Approvals/certificates	Ecolab

Electrical data

Response time (factory characteristic)	< 2 ms
Voltage supply range +Vs	15 ... 30 VDC
Current consumption max. (no load)	40 mA
Output circuit	Analog 4 ... 20 mA
Load resistance +Vs min.	< 330 Ohm
Load resistance +Vs max.	< 1000 Ohm

Electrical data

Short circuit protection	Yes
Reverse polarity protection	Yes

Mechanical data

Design	Cylindrical threaded
Material (sensing face)	LCP
Housing material	Stainless steel 1.4404 (V4A)
Dimension	18 mm
Housing length	60 mm
Connection types	Connector M12
Tightening torque max.	55 Nm (Front: 38 Nm)

Ambient conditions

Operating temperature	-40 ... +70 °C
Cleaning temperature	70 ... +85 °C (30 min/day)
Protection class	IP 68/69K & proTect+
Vibration resistance	EN 61373: 2010 (category 3), 5h per axis (14.4 gRMS, 10-500 Hz, EN 60068-2-64)
Shock resistance	EN 61373: 2010 (category 3), 10 bumps per axis (100 g, 6 ms, EN 60068-2-27)

Remarks

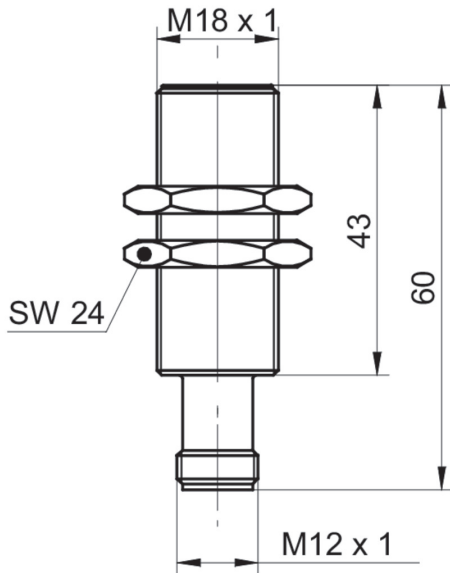
- Sensor FDA compliant and Ecolab approved

IWRR 18I97T4/S14

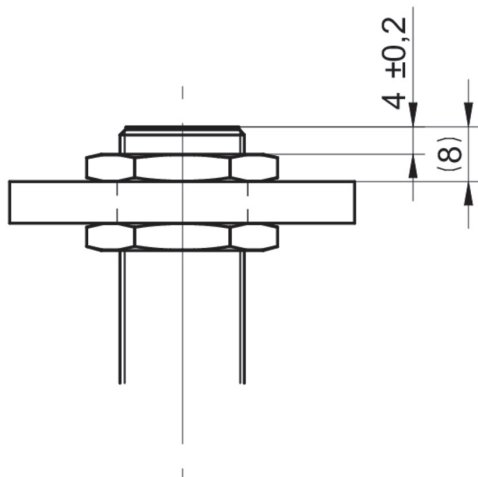
Inductive distance sensors - outdoor and washdown

Article number: 11016445

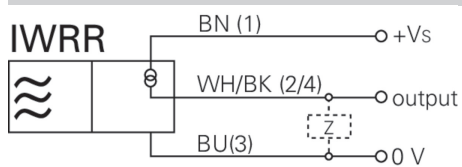
Dimension drawing



Installation drawing



Connection diagram



IWRR 18I97T4/S14

Inductive distance sensors - outdoor and washdown

Article number: 11016445

Accessories

Mounting accessories

10151658	Sensofix series 18
11172096	ZADAP-M18.STANDARD
11171584	ZADAP-M18.SHORT
11172095	ZADAP-M18.LONG
11707685	Mounting rod with mounting plate holder 200 mm
11707686	Mounting rod with mounting plate holder 300 mm
11707688	Mounting rod 200 mm
11707697	Mounting rod 250 mm
11707698	Mounting rod with mounting plate holder 250 mm
11707687	Mounting rod 300 mm
11707699	Mounting plate series 500 and \varnothing 18 mm
11707702	Mounting base
11707703	Two-way connector