

IWRM 30U9704/S14

Inductive distance sensors

Article number: 10160782

Overview

- 0 ... 16 mm
- voltage output
- connector M12
- -10 ... 70 °C
- IP 67



Picture similar



Technical data

General data

Mounting type	Quasi-flush
Measuring distance Sd	0 ... 16 mm
Resolution	< 0.005 mm (stat.) < 0.01 mm (dynam.)
Repeat accuracy	0.015 mm
Linearity error	± 1600 µm
Temperature drift	± 5 % (Full Scale)

Electrical data

Response time (factory characteristic)	< 2 ms
Voltage supply range +Vs	15 ... 30 VDC
Current consumption max. (no load)	20 mA
Output circuit	Analog 0 ... 10 VDC

Electrical data

Load resistance	> 1000 Ohm
Short circuit protection	Yes
Reverse polarity protection	Yes

Mechanical data

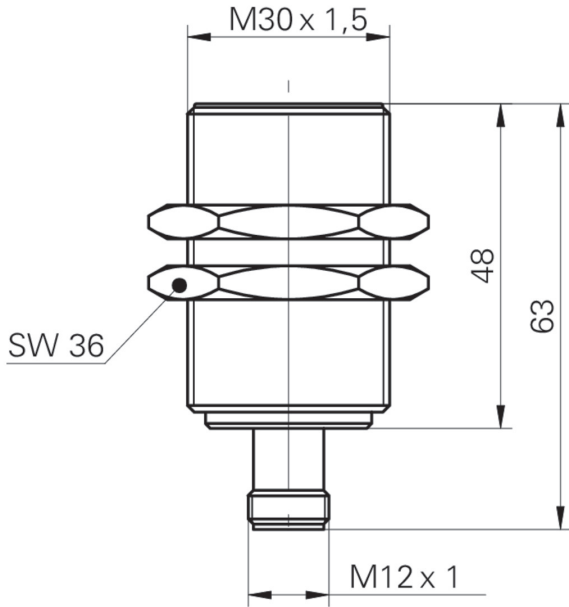
Design	Cylindrical threaded
Material (sensing face)	PBT
Housing material	Brass nickel plated
Dimension	30 mm
Housing length	63 mm
Connection types	Connector M12
Tightening torque max.	200 Nm (Front: 140 Nm)

Ambient conditions

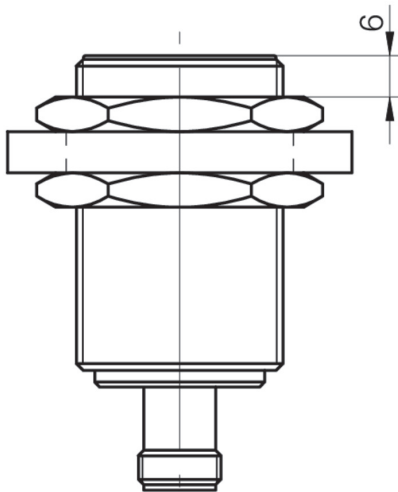
Operating temperature	-10 ... +70 °C
Protection class	IP 67

IWRM 30U9704/S14

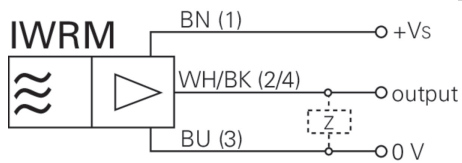
Dimension drawing



Installation drawing



Connection diagram



Accessories**Mounting accessories**

11200030	11200030
11199998	ZADAP-M30.STANDARD
11199999	ZADAP-M30.LONG
11707685	Mounting rod with mounting plate holder 200 mm
11707686	Mounting rod with mounting plate holder 300 mm
11707688	Mounting rod 200 mm
11707697	Mounting rod 250 mm
11707698	Mounting rod with mounting plate holder 250 mm
11707687	Mounting rod 300 mm
11707700	Mounting plate ø30 mm
11707702	Mounting base
11707703	Two-way connector