

IWRM 18Z8704/S14C

Inductive distance sensors - linearized

Article number: 10156471

Overview

- 0 ... 8 mm
- voltage output / PNP
- external Teach-in
- connector M12
- -10 ... 70 °C
- IP 67



Picture similar



Technical data

General data		Electrical data	
Mounting type	Quasi-flush	Output circuit	Analog 0 ... 10 VDC PNP
Special type	2 adjust. switching points Linearized	Load resistance	> 1000 Ohm
Measuring distance Sd	0 ... 8 mm	Output current	10 mA (PNP)
Resolution	< 0.01 mm (stat.) < 0.01 mm (dynam.)	Voltage drop Vd	<5 VDC (PNP)
Repeat accuracy	0.015 mm	Short circuit protection	Yes
Adjustment	External Teach-in	Reverse polarity protection	Yes
Linearity error	± 32 µm	Mechanical data	
Temperature drift	± 5 % (Full Scale)	Design	Cylindrical threaded
Output indicator	LED red	Material (sensing face)	PBT
Teach-Feedback	LED yellow	Housing material	Brass nickel plated
Electrical data		Dimension	18 mm
Response time (factory characteristic)	< 2 ms	Housing length	60 mm
Response time (teach in characteristic)	< 3.1 ms	Connection types	Connector M12
Voltage supply range +Vs	15 ... 30 VDC	Tightening torque max.	40 Nm (Front: 28 Nm)
Current consumption max. (no load)	20 mA	Ambient conditions	
		Operating temperature	-10 ... +70 °C
		Protection class	IP 67

Remarks

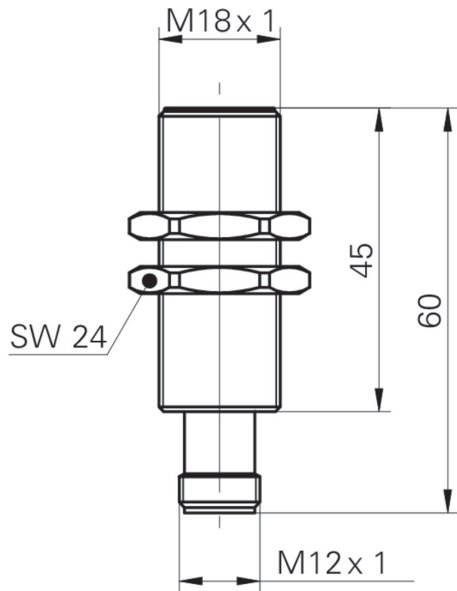
- External Teach-in
- Integrated analog- and switching output
- Linear analog output

IWRM 18Z8704/S14C

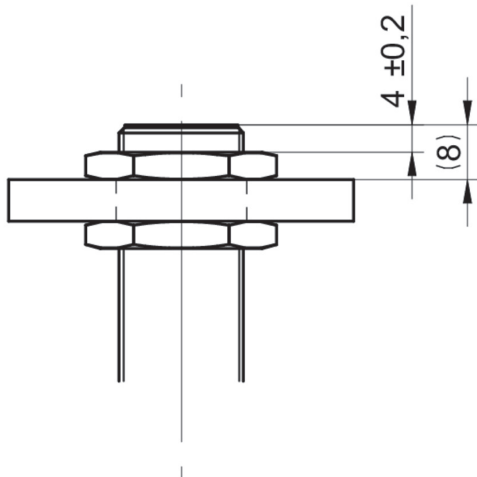
Inductive distance sensors - linearized

Article number: 10156471

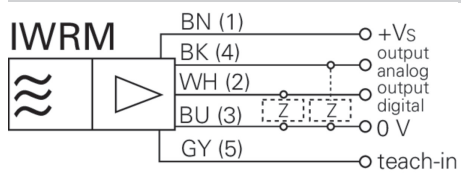
Dimension drawing



Installation drawing



Connection diagram



Accessories**Mounting accessories**

10151658	Sensofix series 18
11172096	ZADAP-M18.STANDARD
11171584	ZADAP-M18.SHORT
11172095	ZADAP-M18.LONG
11707685	Mounting rod with mounting plate holder 200 mm
11707686	Mounting rod with mounting plate holder 300 mm
11707688	Mounting rod 200 mm
11707697	Mounting rod 250 mm
11707698	Mounting rod with mounting plate holder 250 mm
11707687	Mounting rod 300 mm
11707699	Mounting plate series 500 and \varnothing 18 mm
11707702	Mounting base
11707703	Two-way connector