

Overview

- 2 ... 4 mm
- voltage output
- cable, 2 m
- 60 °C
- IP 67



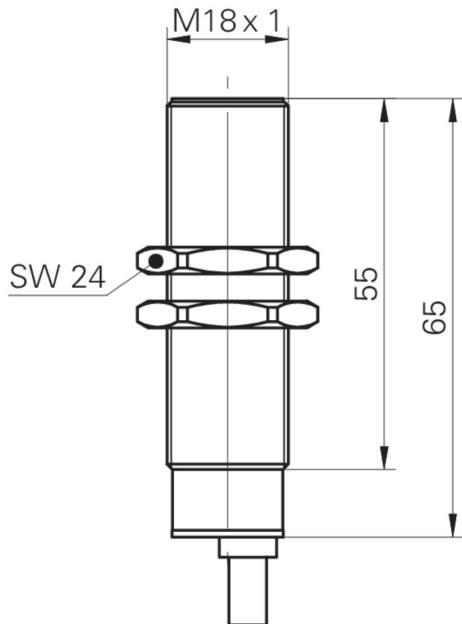
Picture similar



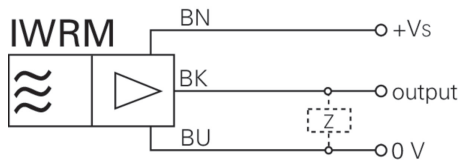
Technical data

General data		Electrical data	
Mounting type	Flush	Short circuit protection	Yes
Measuring distance Sd	2 ... 4 mm	Reverse polarity protection	Yes
Reference distance	2.8 ... 3.2 mm	Mechanical data	
Measuring speed	< 1 mm / ms	Design	Cylindrical threaded
Repeat accuracy	0.02 mm	Material (sensing face)	PBT
Linearity error	± 80 µm	Housing material	Brass nickel plated
Temperature coefficient	1 µm / (K mm)	Dimension	18 mm
Electrical data		Housing length	65 mm
Voltage supply range +Vs	15 ... 30 VDC	Connection types	Cable, L=2 m
Current consumption max. (no load)	20 mA	Tightening torque max.	40 Nm (Front: 28 Nm)
Output circuit	Analog 1 ... 9 VDC	Ambient conditions	
Load resistance	> 1000 Ohm	Operating temperature	0 ... +60 °C
Residual output ripple	< 0.5 % Vs	Protection class	IP 67

Dimension drawing



Connection diagram



Accessories

Mounting accessories

10151658	Sensofix series 18
11172096	ZADAP-M18.STANDARD
11171584	ZADAP-M18.SHORT
11172095	ZADAP-M18.LONG
11707685	Mounting rod with mounting plate holder 200 mm
11707686	Mounting rod with mounting plate holder 300 mm
11707688	Mounting rod 200 mm
11707697	Mounting rod 250 mm
11707698	Mounting rod with mounting plate holder 250 mm
11707687	Mounting rod 300 mm
11707699	Mounting plate series 500 and ø18 mm
11707702	Mounting base
11707703	Two-way connector