

Overview

- 2 ... 4 mm
- voltage output
- cable, 2 m
- 60 °C
- IP 67



Picture similar



Technical data

General data

| | |
|-------------------------|----------------|
| Mounting type | Flush |
| Measuring distance Sd | 2 ... 4 mm |
| Reference distance | 2.8 ... 3.2 mm |
| Measuring speed | < 1 mm / ms |
| Repeat accuracy | 0.02 mm |
| Linearity error | ± 80 µm |
| Temperature coefficient | 1 µm / (K mm) |

Electrical data

| | |
|------------------------------------|----------------|
| Voltage supply range +Vs | 15 ... 30 VDC |
| Current consumption max. (no load) | 20 mA |
| Output circuit | Voltage output |
| Output signal | 1 ... 9 VDC |
| Load resistance | > 1000 Ohm |

Electrical data

| | |
|-----------------------------|------------|
| Residual output ripple | < 0.5 % Vs |
| Short circuit protection | Yes |
| Reverse polarity protection | Yes |

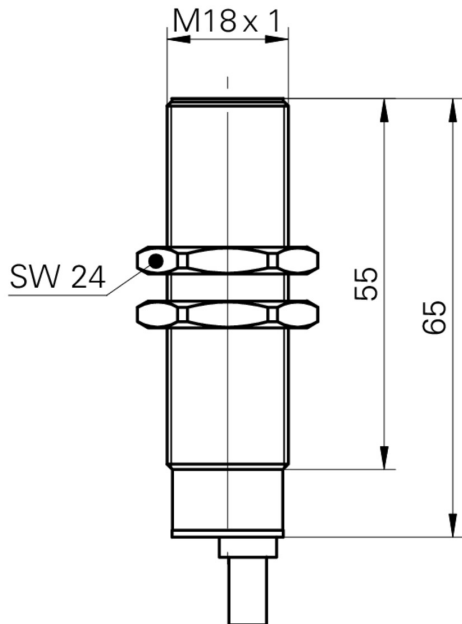
Mechanical data

| | |
|------------------------|----------------------|
| Type | Cylindrical threaded |
| Housing material | Brass nickel plated |
| Dimension | 18 mm |
| Housing length | 65 mm |
| Connection types | Cable, L=2 m |
| Tightening torque max. | 40 Nm (Front: 28 Nm) |

Ambient conditions

| | |
|-----------------------|--------------|
| Operating temperature | 0 ... +60 °C |
| Protection class | IP 67 |

Dimension drawing



Connection diagram

