

Overview

- 2 ... 4 mm
- current output
- cable, 2 m
- 60 °C
- IP 67



Picture similar



Technical data

General data

Mounting type	Flush
Measuring distance Sd	2 ... 4 mm
Reference distance	2.8 ... 3.2 mm
Measuring speed	< 1 mm / ms
Repeat accuracy	0.02 mm
Linearity error	± 80 µm
Temperature coefficient	1 µm / (K mm)

Electrical data

Voltage supply range +Vs	15 ... 30 VDC
Current consumption max. (no load)	35 mA
Output circuit	Analog 4 ... 20 mA
Load resistance +Vs min.	< 500 Ohm
Load resistance +Vs max.	< 1000 Ohm

Electrical data

Residual output ripple	< 0.5 % Vs
Short circuit protection	Yes
Reverse polarity protection	Yes

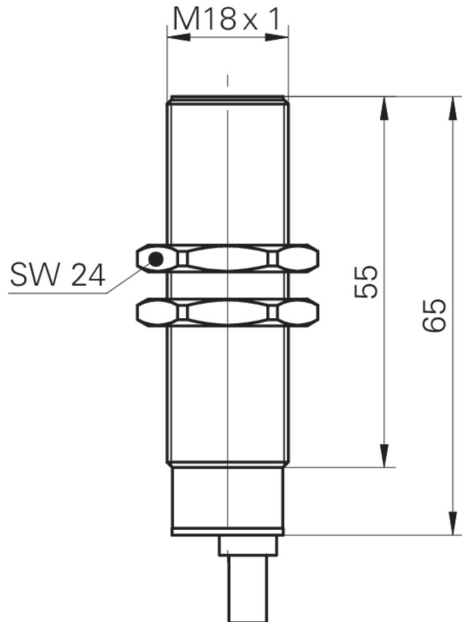
Mechanical data

Design	Cylindrical threaded
Material (sensing face)	PBT
Housing material	Brass nickel plated
Dimension	18 mm
Housing length	65 mm
Connection types	Cable, L=2 m
Tightening torque max.	40 Nm (Front: 28 Nm)

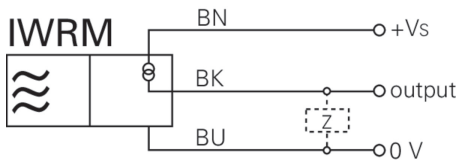
Ambient conditions

Operating temperature	0 ... +60 °C
Protection class	IP 67

Dimension drawing



Connection diagram



Accessories

Mounting accessories

10151658	Sensofix series 18
11172096	ZADAP-M18.STANDARD
11171584	ZADAP-M18.SHORT
11172095	ZADAP-M18.LONG
11707685	Mounting rod with mounting plate holder 200 mm
11707686	Mounting rod with mounting plate holder 300 mm
11707688	Mounting rod 200 mm
11707697	Mounting rod 250 mm
11707698	Mounting rod with mounting plate holder 250 mm
11707687	Mounting rod 300 mm
11707699	Mounting plate series 500 and \varnothing 18 mm
11707702	Mounting base
11707703	Two-way connector