

**Overview**

- 2 ... 5 mm
- current output
- cable, 2 m
- 60 °C
- IP 67



Picture similar



**Technical data**

**General data**

Mounting type	Flush
Measuring distance Sd	2 ... 5 mm
Reference distance	3.25 ... 3.75 mm
Measuring speed	< 1 mm / ms
Repeat accuracy	0.02 mm
Linearity error	± 100 µm
Temperature coefficient	1 µm / (K mm)

**Electrical data**

Voltage supply range +Vs	15 ... 30 VDC
Current consumption max. (no load)	35 mA
Output circuit	Current output
Output signal	4 ... 20 mA
Load resistance +Vs min.	< 500 Ohm

**Electrical data**

Load resistance +Vs max.	< 1000 Ohm
Residual output ripple	< 0.5 % Vs
Short circuit protection	Yes
Reverse polarity protection	Yes

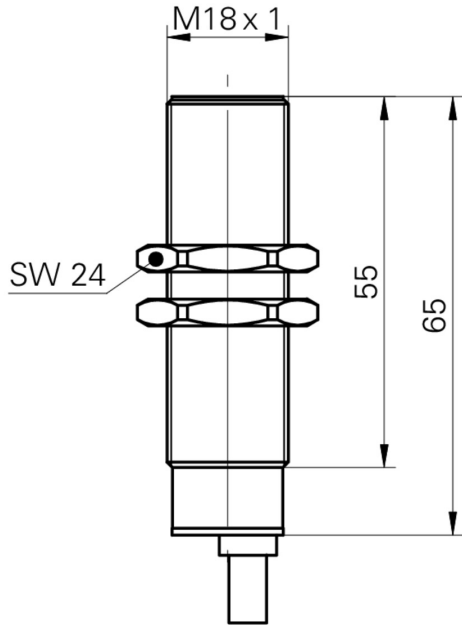
**Mechanical data**

Type	Cylindrical threaded
Housing material	Brass nickel plated
Dimension	18 mm
Housing length	65 mm
Connection types	Cable, L=2 m
Tightening torque max.	40 Nm (Front: 28 Nm)

**Ambient conditions**

Operating temperature	0 ... +60 °C
Protection class	IP 67

## Dimension drawing



## Connection diagram

