

Overview

- 1 ... 1,5 mm
- voltage output
- cable, 2 m
- 60 °C
- IP 67



Picture similar



Technical data

General data

Mounting type	Flush
Measuring distance Sd	1 ... 1.5 mm
Reference distance	1.15 ... 1.35 mm
Measuring speed	< 0.5 mm / ms
Repeat accuracy	0.02 mm
Linearity error	± 60 µm
Temperature coefficient	1 µm / (K mm)

Electrical data

Voltage supply range +Vs	14 ... 30 VDC
Current consumption max. (no load)	20 mA
Output circuit	Voltage output
Output signal	1 ... 9 VDC
Load resistance	> 1000 Ohm

Electrical data

Residual output ripple	< 0.5 % Vs
Short circuit protection	Yes
Reverse polarity protection	Yes

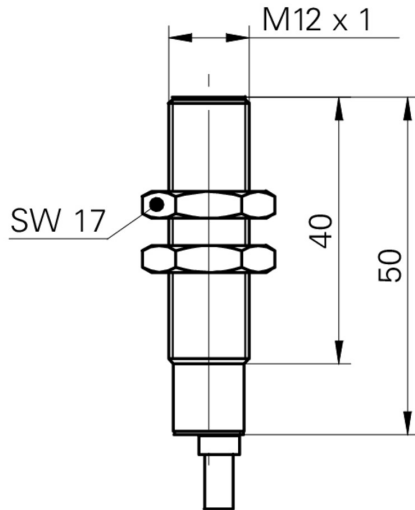
Mechanical data

Type	Cylindrical threaded
Housing material	Brass nickel plated
Dimension	12 mm
Housing length	50 mm
Connection types	Cable, L=2 m
Tightening torque max.	15 Nm (Front: 10 Nm)

Ambient conditions

Operating temperature	0 ... +60 °C
Protection class	IP 67

Dimension drawing



Connection diagram

