

Overview

- 0 ... 2 mm
- current output
- connector M8
- 10 ... 60 °C
- IP 67



Picture similar



Technical data

General data

| | |
|-----------------------|---|
| Mounting type | Quasi-flush |
| Measuring distance Sd | 0 ... 2 mm |
| Resolution | < 0.001 mm (stat.) < 0.005 mm (dynam.) |
| Repeat accuracy | 0.02 mm |
| Linearity error | ± 100 µm |
| Temperature drift | ± 5 % (Full Scale) |

Electrical data

| | |
|--|--------------------|
| Response time (factory characteristic) | < 0.5 ms |
| Voltage supply range +Vs | 15 ... 30 VDC |
| Current consumption max. (no load) | 35 mA |
| Output circuit | Analog 0 ... 10 mA |
| Load resistance +Vs min. | < 910 Ohm |

Electrical data

| | |
|-----------------------------|------------|
| Load resistance +Vs max. | < 2400 Ohm |
| Short circuit protection | Yes |
| Reverse polarity protection | Yes |

Mechanical data

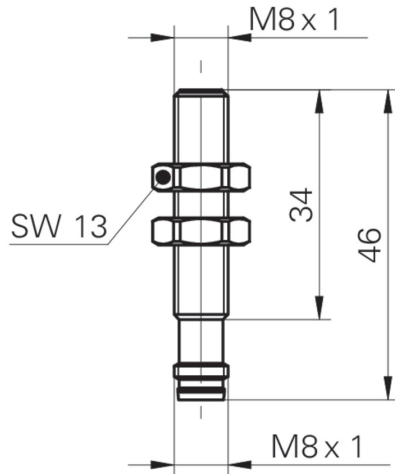
| | |
|-------------------------|----------------------|
| Design | Cylindrical threaded |
| Material (sensing face) | PBT |
| Housing material | Stainless steel |
| Dimension | 8 mm |
| Housing length | 46 mm |
| Connection types | Connector M8 |
| Tightening torque max. | 10 Nm (Front: 7 Nm) |

Ambient conditions

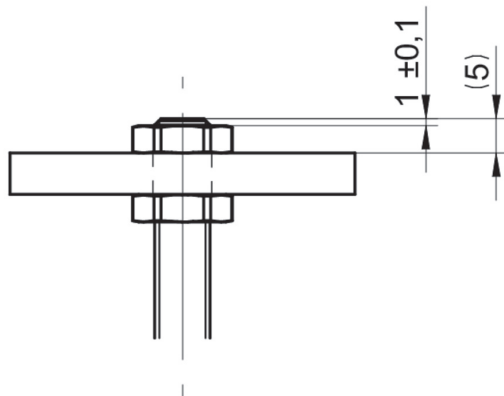
| | |
|-----------------------|---------------|
| Operating temperature | 10 ... +60 °C |
| Protection class | IP 67 |

IWRM 08I9501/S35

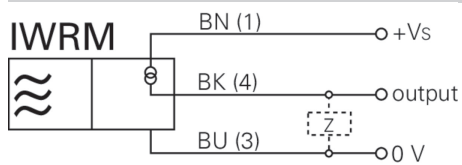
Dimension drawing



Installation drawing



Connection diagram



IWRM 08I9501/S35

Inductive distance sensors

Article number: 10145391

Accessories

Mounting accessories

10151719

Sensofix series 08 round