

**Overview**

- 0 ... 2 mm
- voltage output
- flylead connector M8
- -10 ... 70 °C
- IP 67



Picture similar



**Technical data**

**General data**

Mounting type	Flush
Measuring distance Sd	0 ... 2 mm
Resolution	< 0.001 mm (stat.) < 0.005 mm (dynam.)
Repeat accuracy	0.01 mm
Linearity error	± 40 µm
Temperature drift	± 2 % (Full Scale)

**Electrical data**

Response time (factory characteristic)	< 0.5 ms
Voltage supply range +Vs	15 ... 30 VDC
Current consumption max. (no load)	20 mA
Output circuit	Voltage output

**Electrical data**

Output signal	0 ... 10 VDC
Load resistance	> 1000 Ohm
Short circuit protection	Yes
Reverse polarity protection	Yes

**Mechanical data**

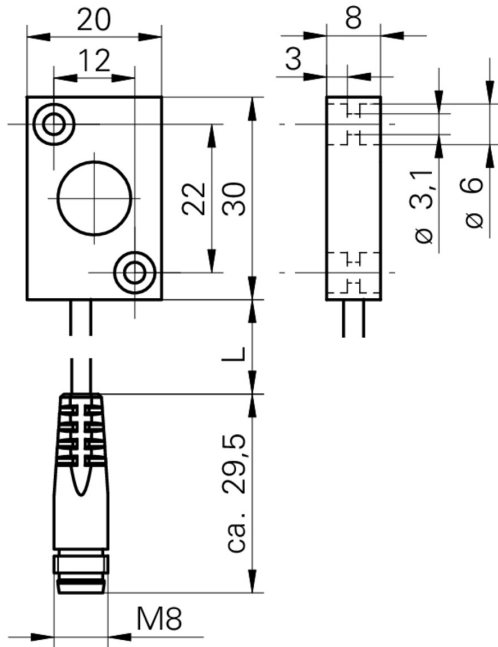
Type	Rectangular
Housing material	Brass nickel plated
Dimension	20 mm
Housing length	30 mm
Connection types	Flylead connector M8

**Ambient conditions**

Operating temperature	-10 ... +70 °C
Protection class	IP 67

# IWFM 20U9509/KS35AP

## Dimension drawing



## Connection diagram

