

Overview

- 2 ... 3 mm
- voltage output
- connector M8
- 60 °C
- IP 67



Picture similar



Technical data

General data

Mounting type	Flush
Measuring distance Sd	2 ... 3 mm
Reference distance	2.35 ... 2.65 mm
Measuring speed	< 1 mm / ms
Repeat accuracy	0.01 mm
Linearity error	± 60 µm
Temperature coefficient	1 µm / (K mm)

Electrical data

Voltage supply range +Vs	15 ... 30 VDC
Current consumption max. (no load)	20 mA
Output circuit	Analog 1 ... 9 VDC
Load resistance	> 1000 Ohm

Electrical data

Residual output ripple	< 0.5 % Vs
Short circuit protection	Yes
Reverse polarity protection	Yes

Mechanical data

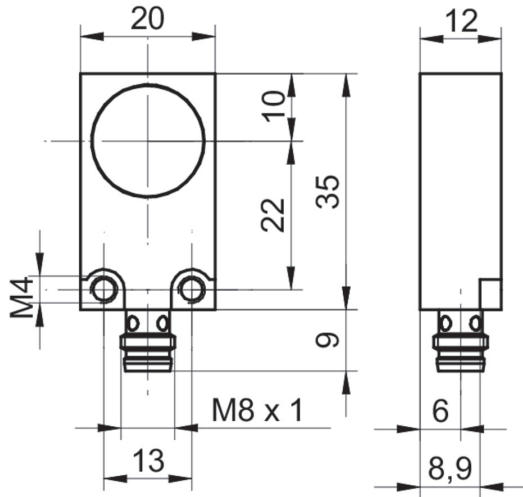
Design	Rectangular
Material (sensing face)	PBT
Housing material	Brass nickel plated
Dimension	20 mm
Housing length	35 mm
Connection types	Connector M8

Ambient conditions

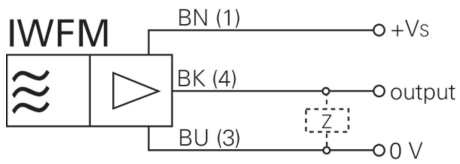
Operating temperature	0 ... +60 °C
Protection class	IP 67

IWFM 20U9503/S35

Dimension drawing



Connection diagram



Accessories

Mounting accessories

10152385

10152385