

Overview

- 2 ... 3 mm
- current output
- connector M8
- 60 °C
- IP 67



Picture similar



Technical data

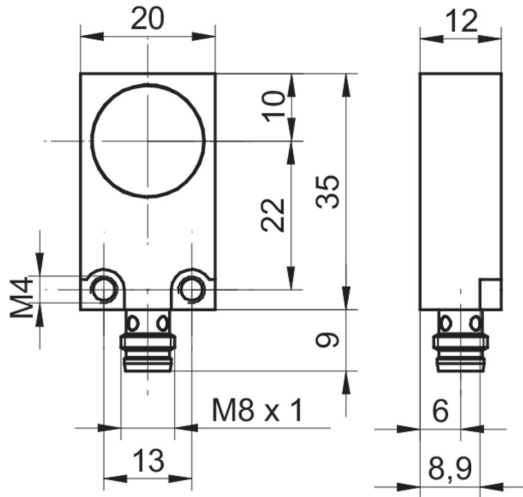
General data		Electrical data	
Mounting type	Flush	Load resistance +Vs max.	< 1000 Ohm
Measuring distance Sd	2 ... 3 mm	Residual output ripple	< 0.5 % Vs
Reference distance	2.35 ... 2.65 mm	Short circuit protection	Yes
Measuring speed	< 1 mm / ms	Reverse polarity protection	Yes
Repeat accuracy	0.01 mm	Mechanical data	
Linearity error	± 60 µm	Type	Rectangular
Temperature coefficient	1 µm / (K mm)	Housing material	Brass nickel plated
Electrical data		Dimension	20 mm
Voltage supply range +Vs	15 ... 30 VDC	Housing length	35 mm
Current consumption max. (no load)	35 mA	Connection types	Connector M8
Output circuit	Current output	Ambient conditions	
Output signal	4 ... 20 mA	Operating temperature	0 ... +60 °C
Load resistance +Vs min.	< 500 Ohm	Protection class	IP 67

IWFM 20I9503/S35

Inductive distance sensors

Article number: 10123625

Dimension drawing



Connection diagram

