

**Overview**

- 2 ... 5 mm
- current output
- connector M8
- 60 °C
- IP 67



Picture similar



**Technical data**

**General data**

Mounting type	Flush
Measuring distance Sd	2 ... 5 mm
Reference distance	3.25 ... 3.75 mm
Measuring speed	< 1 mm / ms
Repeat accuracy	0.01 mm
Linearity error	± 100 µm
Temperature coefficient	1 µm / (K mm)

**Electrical data**

Voltage supply range +Vs	15 ... 30 VDC
Current consumption max. (no load)	35 mA
Output circuit	Current output
Output signal	4 ... 20 mA
Load resistance +Vs min.	< 500 Ohm

**Electrical data**

Load resistance +Vs max.	< 1000 Ohm
Residual output ripple	< 0.5 % Vs
Short circuit protection	Yes
Reverse polarity protection	Yes

**Mechanical data**

Type	Rectangular
Housing material	Brass nickel plated
Dimension	20 mm
Housing length	35 mm
Connection types	Connector M8

**Ambient conditions**

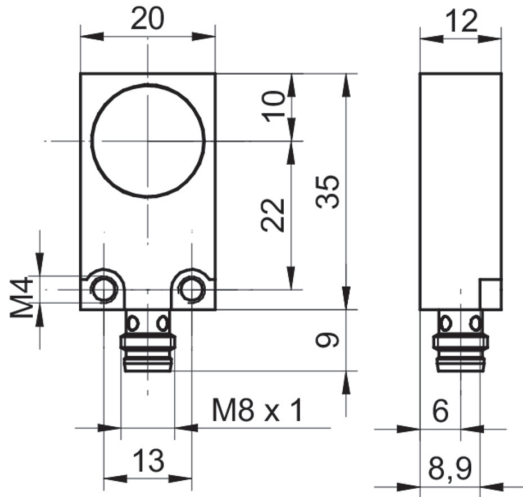
Operating temperature	0 ... +60 °C
Protection class	IP 67

## IWFM 20I9501/S35

Inductive distance sensors

Article number: 10123624

### Dimension drawing



### Connection diagram

