

**Overview**

- 0 ... 4 mm
- voltage output
- connector M8
- -10 ... 70 °C
- IP 67



Picture similar



**Technical data**

**General data**

Mounting type	Flush
Special type	Linearized
Measuring distance Sd	0 ... 4 mm
Resolution	< 0.005 mm
Repeat accuracy	0.01 mm
Linearity error	± 160 µm
Temperature drift	± 5 % (Full Scale)

**Electrical data**

Response time (factory characteristic)	< 2.5 ms
Voltage supply range +Vs	15 ... 30 VDC
Current consumption max. (no load)	20 mA

**Electrical data**

Output circuit	Analog 0 ... 10 VDC
Short circuit protection	Yes
Reverse polarity protection	Yes

**Mechanical data**

Design	Rectangular
Material (sensing face)	PBT
Housing material	Brass nickel plated
Dimension	18 mm
Housing length	30 mm
Connection types	Connector M8

**Ambient conditions**

Operating temperature	-10 ... +70 °C
Protection class	IP 67

**Remarks**

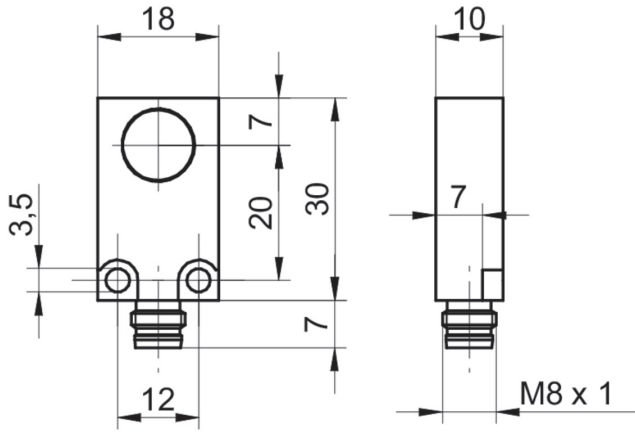
- Linearized characteristic

# IWFM 18U7504/S35A

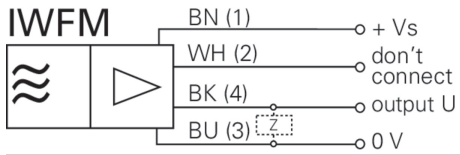
Inductive distance sensors

Article number: 10146855

## Dimension drawing



## Connection diagram



## Accessories

### Mounting accessories

10152385

10152385