

Overview

- 0 ... 4 mm
- voltage output
- connector M8
- -10 ... 70 °C
- IP 67



Picture similar



Technical data

General data

Mounting type	Flush
Special type	Linearized
Measuring distance Sd	0 ... 4 mm
Resolution	< 0.005 mm
Repeat accuracy	0.01 mm
Linearity error	± 16 µm
Temperature drift	± 5 % (Full Scale)

Electrical data

Response time (factory characteristic)	< 2.5 ms
Voltage supply range +Vs	15 ... 30 VDC
Current consumption max. (no load)	20 mA

Electrical data

Output circuit	Voltage output
Output signal	0 ... 10 VDC
Short circuit protection	Yes
Reverse polarity protection	Yes

Mechanical data

Type	Rectangular
Housing material	Brass nickel plated
Dimension	18 mm
Housing length	30 mm
Connection types	Connector M8

Ambient conditions

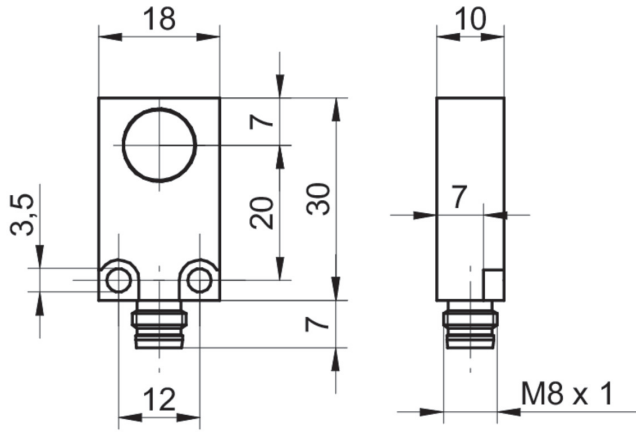
Operating temperature	-10 ... +70 °C
Protection class	IP 67

Remarks

- Linearized characteristic

IWFM 18U7504/S35A

Dimension drawing



Connection diagram

