

IWFM 12U9501/O1

Inductive distance sensors

Article number: 10237474

Overview

- 1 ... 2 mm
- voltage output
- cable, 2 m
- 60 °C
- IP 67



Picture similar



Technical data

General data

Mounting type	Flush
Measuring distance Sd	1 ... 2 mm
Reference distance	1.35 ... 1.65 mm
Measuring speed	< 0.5 mm / ms
Repeat accuracy	0.02 mm
Linearity error	± 80 µm
Temperature coefficient	1 µm / (K mm)

Electrical data

Voltage supply range +Vs	15 ... 30 VDC
Current consumption max. (no load)	20 mA
Output circuit	Analog 1 ... 9 VDC
Load resistance	> 1000 Ohm

Electrical data

Residual output ripple	< 0.5 % Vs
Short circuit protection	Yes
Reverse polarity protection	Yes

Mechanical data

Design	Rectangular
Material (sensing face)	PBT
Housing material	Brass nickel plated
Dimension	12 mm
Housing length	55 mm
Connection types	Cable, L=2 m

Ambient conditions

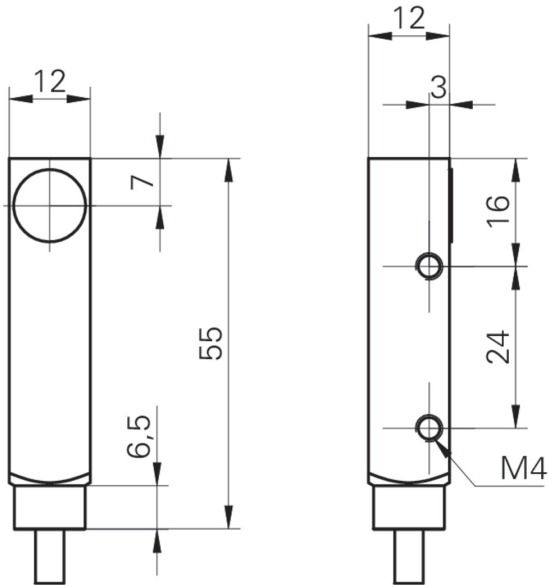
Operating temperature	0 ... +60 °C
Protection class	IP 67

IWFM 12U9501/O1

Inductive distance sensors

Article number: 10237474

Dimension drawing



Connection diagram

