

IWFM 12U9501/O1

Inductive distance sensors

Article number: 10237474

Overview

- 1 ... 2 mm
- voltage output
- cable, 2 m
- 60 °C
- IP 67



Picture similar



Technical data

General data

| | |
|-------------------------|------------------|
| Mounting type | Flush |
| Measuring distance Sd | 1 ... 2 mm |
| Reference distance | 1.35 ... 1.65 mm |
| Measuring speed | < 0.5 mm / ms |
| Repeat accuracy | 0.02 mm |
| Linearity error | ± 80 µm |
| Temperature coefficient | 1 µm / (K mm) |

Electrical data

| | |
|------------------------------------|----------------|
| Voltage supply range +Vs | 15 ... 30 VDC |
| Current consumption max. (no load) | 20 mA |
| Output circuit | Voltage output |
| Output signal | 1 ... 9 VDC |

Electrical data

| | |
|-----------------------------|------------|
| Load resistance | > 1000 Ohm |
| Residual output ripple | < 0.5 % Vs |
| Short circuit protection | Yes |
| Reverse polarity protection | Yes |

Mechanical data

| | |
|------------------|---------------------|
| Type | Rectangular |
| Housing material | Brass nickel plated |
| Dimension | 12 mm |
| Housing length | 55 mm |
| Connection types | Cable, L=2 m |

Ambient conditions

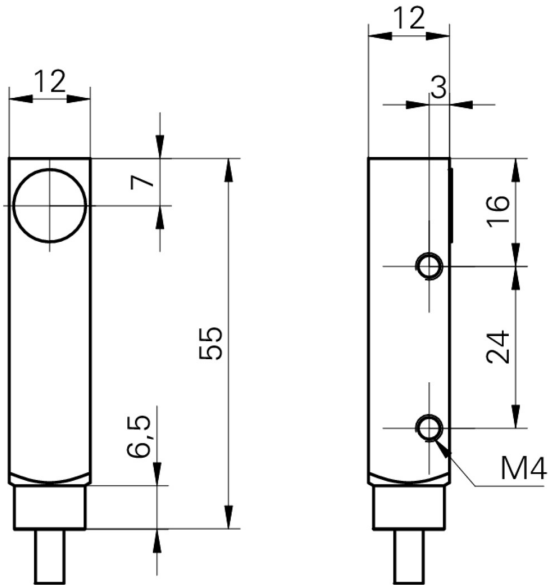
| | |
|-----------------------|--------------|
| Operating temperature | 0 ... +60 °C |
| Protection class | IP 67 |

IWFM 12U9501/O1

Inductive distance sensors

Article number: 10237474

Dimension drawing



Connection diagram

