

Overview

- 0 ... 1 mm
- voltage output
- connector M5
- 10 ... 60 °C
- IP 67



Picture similar



Technical data

General data

Mounting type	Quasi-flush
Measuring distance Sd	0 ... 1 mm
Resolution	< 0.001 mm (stat.) < 0.005 mm (dynam.)
Repeat accuracy	0.01 mm
Linearity error	± 70 µm
Temperature drift	± 5 % (Full Scale)

Electrical data

Response time (factory characteristic)	< 0.5 ms
Voltage supply range +Vs	15 ... 30 VDC
Current consumption max. (no load)	15 mA
Output circuit	Voltage output

Electrical data

Output signal	0 ... 10 VDC
Load resistance	> 1000 Ohm
Short circuit protection	Yes
Reverse polarity protection	Yes

Mechanical data

Type	Rectangular
Housing material	Brass nickel plated
Dimension	5 mm
Housing length	32 mm
Connection types	Connector M5

Ambient conditions

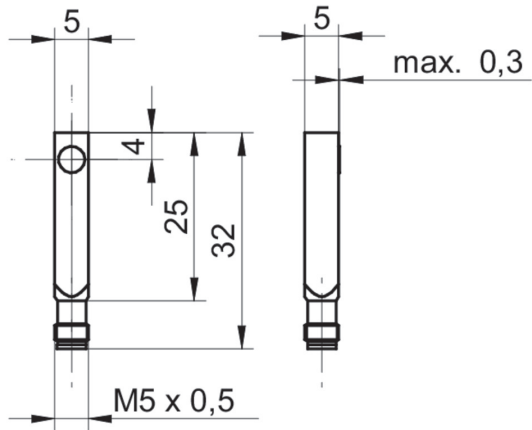
Operating temperature	10 ... +60 °C
Protection class	IP 67

IWFM 05U9701/S05

Inductive distance sensors - subminiature

Article number: 11098718

Dimension drawing



Connection diagram

