

ITD 40 A 4 Y99

Through hollow shaft $\varnothing 20$ to $\varnothing 27$ mm
200...2048 pulses per revolution

Overview

- Encoder with through hollow shaft $\varnothing 20$...27 mm
- Max. 2048 pulses per revolution
- Optical sensing method
- Mounting by torque support
- TTL or HTL output signals
- Cable output radial
- High protection



Technical data

Technical data - electrical ratings

Voltage supply	5 VDC ± 5 % 8...30 VDC
Reverse polarity protection	Yes
Consumption w/o load	≤ 100 mA
Pulses per revolution	200 ... 2048
Reference signal	Zero pulse, width 90°
Output frequency	≤ 120 kHz
Output signals	A, B, N + inverted
Output stages	TTL linedriver (short-circuit proof) HTL push-pull (short-circuit proof)
Interference immunity	EN 61000-6-2
Emitted interference	EN 61000-6-3

Technical data - mechanical design

Size (flange)	$\varnothing 80$ mm
---------------	---------------------

Technical data - mechanical design

Shaft type	$\varnothing 20$...27 mm (through hollow shaft)
Mounting kit	050
Protection EN 60529	IP 65
Operating speed	≤ 3000 rpm
Starting torque	≤ 0.04 Nm (+20 °C)
Material	Housing: aluminium, bare Shaft: stainless steel
Operating temperature	-20...+70 °C
Relative humidity	90 % non-condensing
Resistance	EN 60068-2-6 Vibration 10 g, 55-2000 Hz EN 60068-2-27 Shock 100 g, 11 ms
Connection	Cable 1 m
Weight approx.	650 g

Optional

- Cable with connector

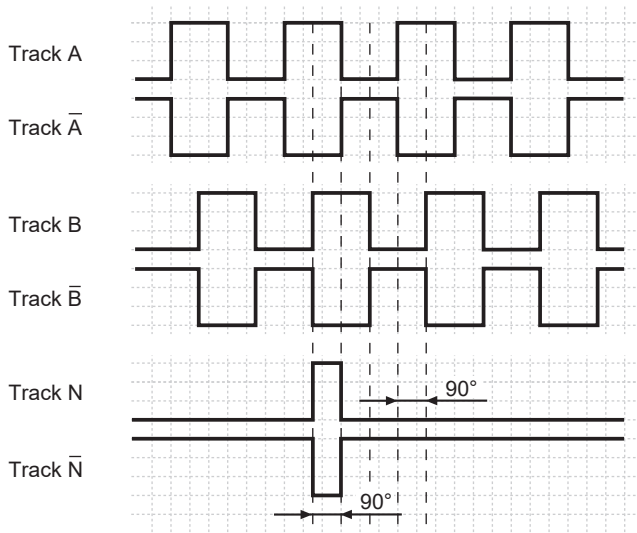
Terminal assignment

Core colour	Assignment
brown	Track A
green	Track A inv.
grey	Track B
pink	Track B inv.
red	Track N
black	Track N inv.
brown 0,5 mm ²	UB
white 0,5 mm ²	GND
blue	UB-Sense
white	GND-Sense
transparent	Shield/Housing

Output signals

Clockwise rotation when looking at the mounting side.

NI-Output signals



Trigger level

Outputs	Linedriver
Output level High	≥ 2.4 V
Output level Low	≤ 0.5 V
Load	≤ 70 mA

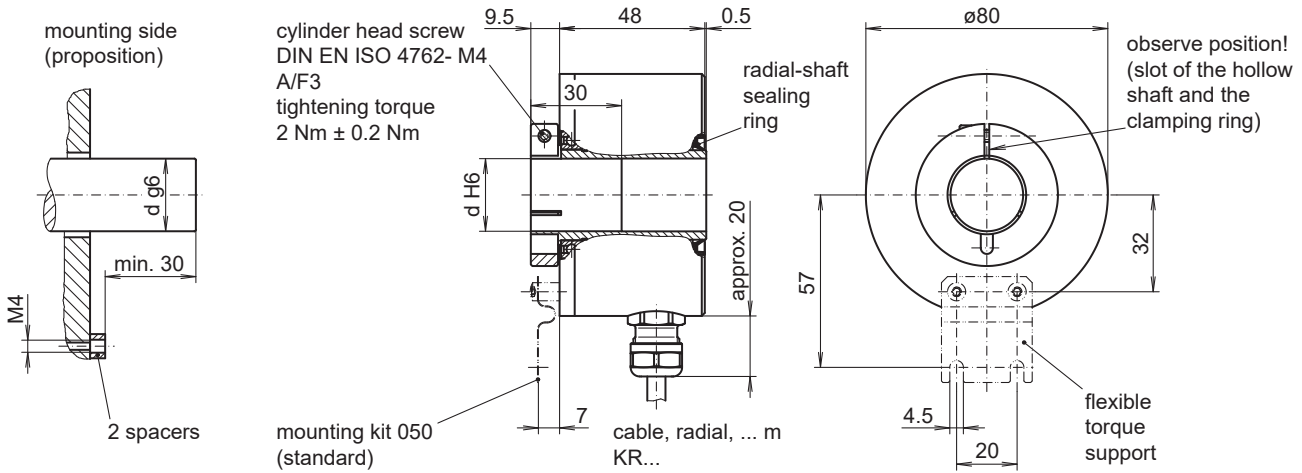
Outputs	Push-pull short-circuit proof
Output level High	$\geq UB - 3$ V
Output level Low	≤ 1.5 V
Load	≤ 70 mA

ITD 40 A 4 Y99

Through hollow shaft $\varnothing 20$ to $\varnothing 27$ mm

200...2048 pulses per revolution

Dimensions



$d = \varnothing 25$ mm (standard), $\varnothing 20$ mm, $\varnothing 22$ mm, $\varnothing 27$ mm
Please specify the desired bore diameter in your order.

Please specify the desired mounting kit in your order.

026- 5 Y99

ITD 40 A 4 Y99

 Through hollow shaft $\varnothing 20$ to $\varnothing 27$ mm

200...2048 pulses per revolution

Ordering reference

ITD 40 A 4 Y99		#####	#	NI	KR1	S	25	IP65	050
Product	ITD 40 A 4 Y99								
Pulse number	ITD 40 A 4 Y99								
200		200							
360		360							
500		500							
512		512							
720		720							
1000		1000							
1024		1024							
2048		2048							
Voltage supply / signals									
5 VDC / TTL level, linedriver				T					
8...30 VDC / HTL level, push-pull				H					
8...30 VDC / TTL level, linedriver				R					
Output signals									
A, A inv, B, B inv, N, N inv				NI					
Connection									
Cable 1 m, radial					KR1				
Operating temperature									
-20...+70 °C						S			
Through hollow shaft									
$\varnothing 25$ mm							25		
Protection									
IP 65								IP65	
Mounting kit									
Mounting kit 050									050

Other diameters on request.